

2018

three h

MULTISTATIONOS™

---

**DEKKO POWER**

INFORMATION + INSTALLATION

**INCLUDED HARDWARE**

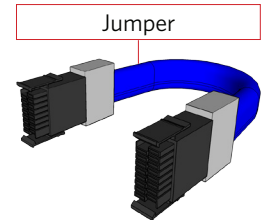
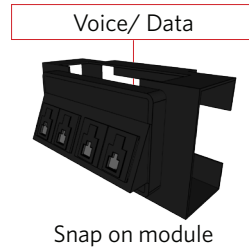
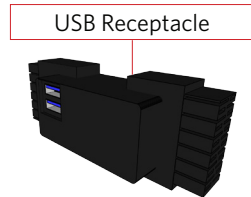
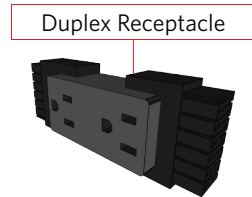
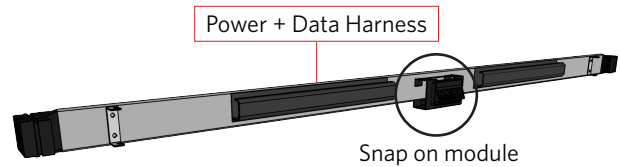
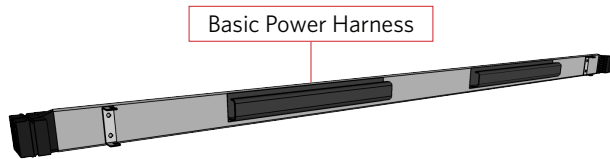


**REQUIRED TOOLS**



**DEKKO POWER COMPONENTS**

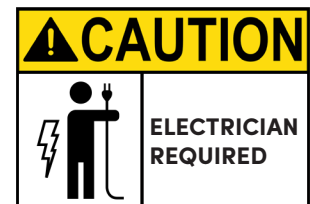
Not every order will include all of the items below but every order will have at least 3 items: A Basic Harness or a Power + Data Harness, Receptacles and Jumpers will all be required for installation.



**ATTENTION:**

Failure to follow instructions may result in damage to the furniture. Damage to furniture that occurs on site will not be replaced by Three H Furniture.

NOTE: These guidelines are generic to all MultiStation OS Dekko Power. Some differences in parts will be noticeable, this is a guide only.



1. A power harness is specified with worksurface sizes, it accommodates any divider size/ layout.
2. Two duplex receptacles can be specified per harness for surface depths 24" or longer.
3. Adjacent OS workstations can be easily powered (daisy chained) using flexible connecting jumpers.
4. A) Harness includes plastic trough to manage user cables. Minimum harness length applies.  
B) Optional voice/data modules can be specified separately as necessary.
5. Building power can be fed from wall, ceiling or floor at any divider end or intersection. Optional vertical cable channels, to route floor feeds, can be integrated at any location along a divider run. Power poles are available to route power from ceiling feeds.
6. Power and data connections are accessed and managed below worksurface and can easily be routed above surface and between dividers via grommets (specify grommet locations separately on worksurface and dividers)

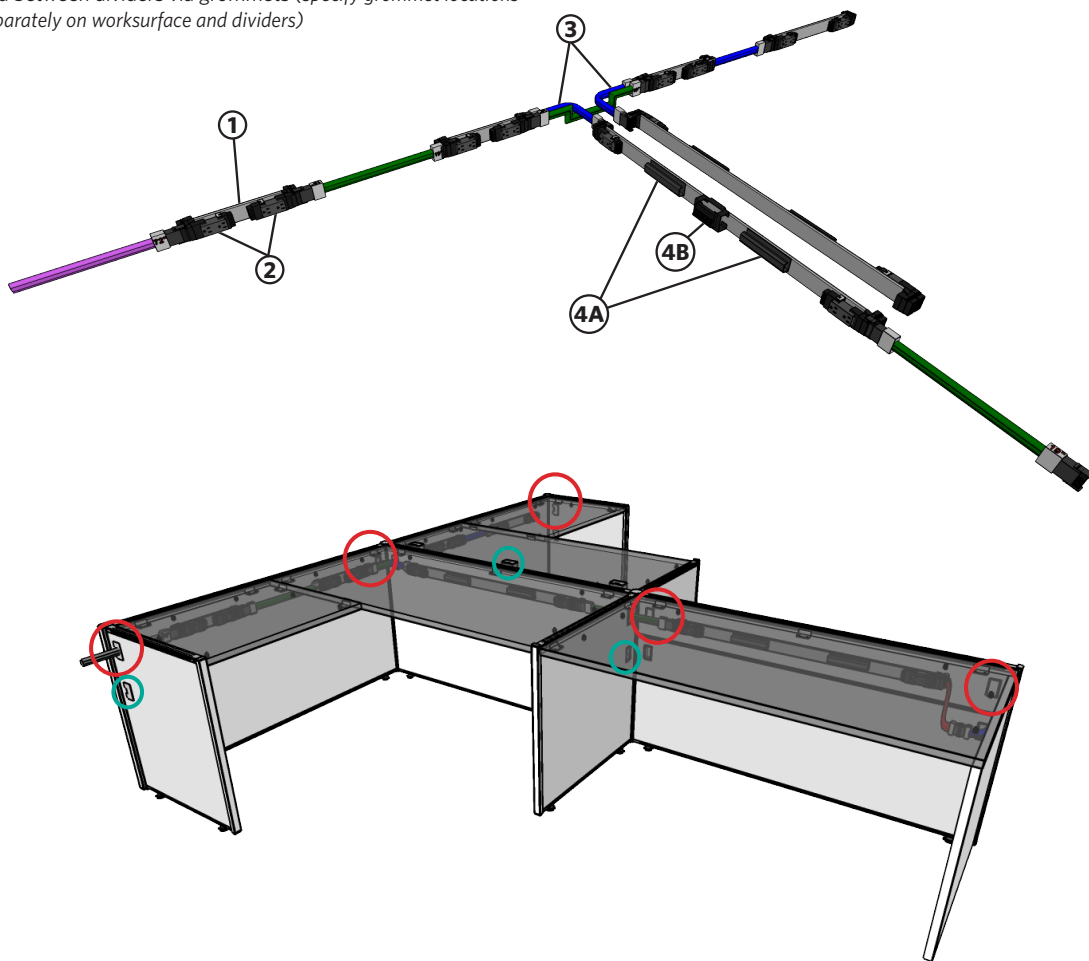
MultiStations OS offers an optional UL183 listed modular 8 wire, 4 circuit power distribution system with integrated duplex receptacles. System requires hardwiring to building power supply by a qualified electrical contractor. Specifier must qualify that modular power systems meet local building and electrical codes applicable to the installation jurisdiction.

**8 wire 4-2-2:**

4 circuit / power lines +  
2 shared neutral wires +  
2 shared ground wires =  
8 wires total

3 Utility Circuits  
1 Dedicated Circuits

Plug in desktop power modules can be integrated into worksurfaces or are available as clamp-on modules. Some modules are available with voice/data inserts. Below hutch plugin task lighting is also available.



**○ = Possible Feed Location**

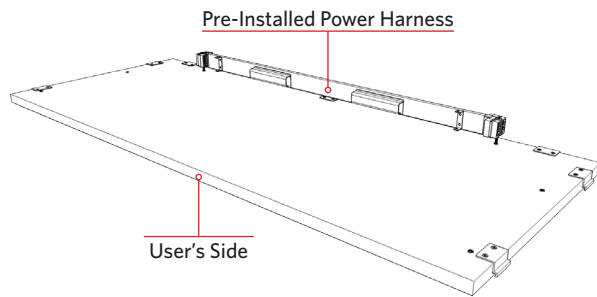
Building power can feed divider configurations from wall or floor at any divider intersection point (divider joiner post location)

**○ = Grommet Locations**

Specify grommet locations as necessary to route wiring above surface and between adjacent and back to back workstations

### STEP ONE

---



All worksurfaces will arrive with pre-installed harnesses.

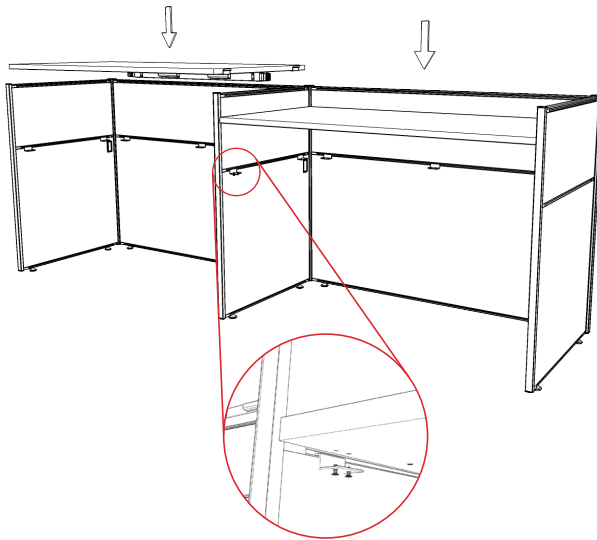
Harnesses will be mounted on the underside of the worksurfaces either Centered, Left, Right or a combination of.

Dividers should already be installed by this point.

Get your worksurface ready to install.

### STEP TWO

---



The Tops/ Worksurfaces are next to be installed. Depending on the type of desk your installation may vary.

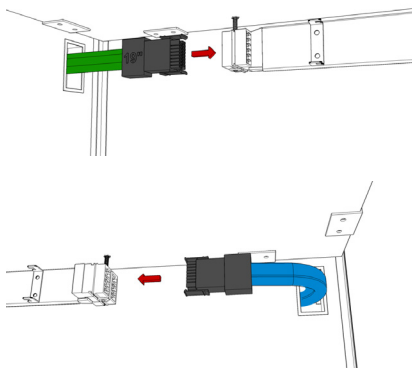
With the Angle Brackets clipped into the rails, get the Top and Bracket holes aligned.

Secure using the supplied Euro Screws.

Tool: Phillips Screwdriver ☒

### STEP THREE

---



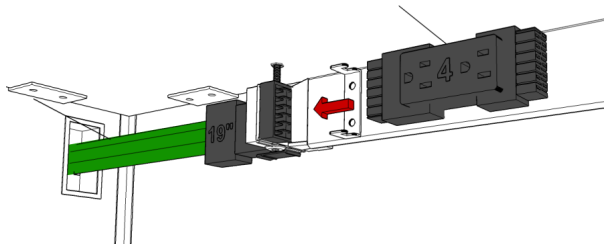
Connect the Jumper cables from harness to harness.

Different lengths are used in different applications.

No tools required, simply click into place.

## STEP FOUR

---



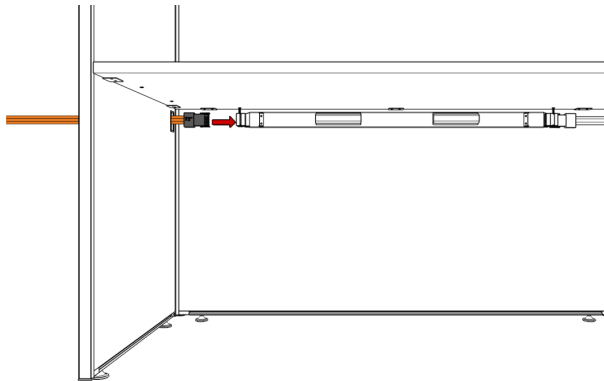
Install the Duplex by sliding it into place.

A NUMBER 4 DUPLEX is required on EVERY station.

Duplexes 1-3 should be spread out between stations (if required).

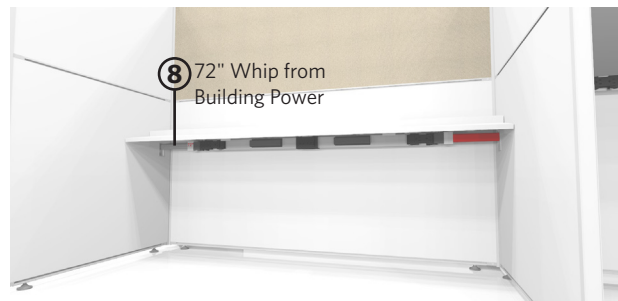
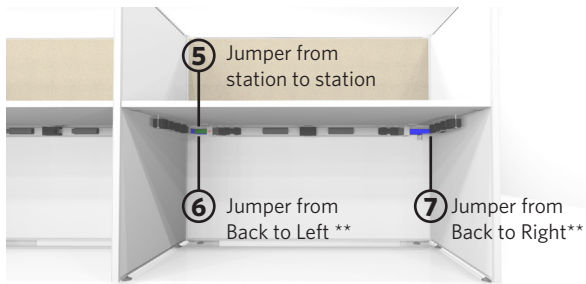
## STEP FIVE

---



If you are not an electrician please do not attempt.

Please hardwire and plug into power source.



\* Longer jumpers required for transitioning between 22"H and 29"H adjacent or back to back stations.

\*\* Included in configuration pricing

