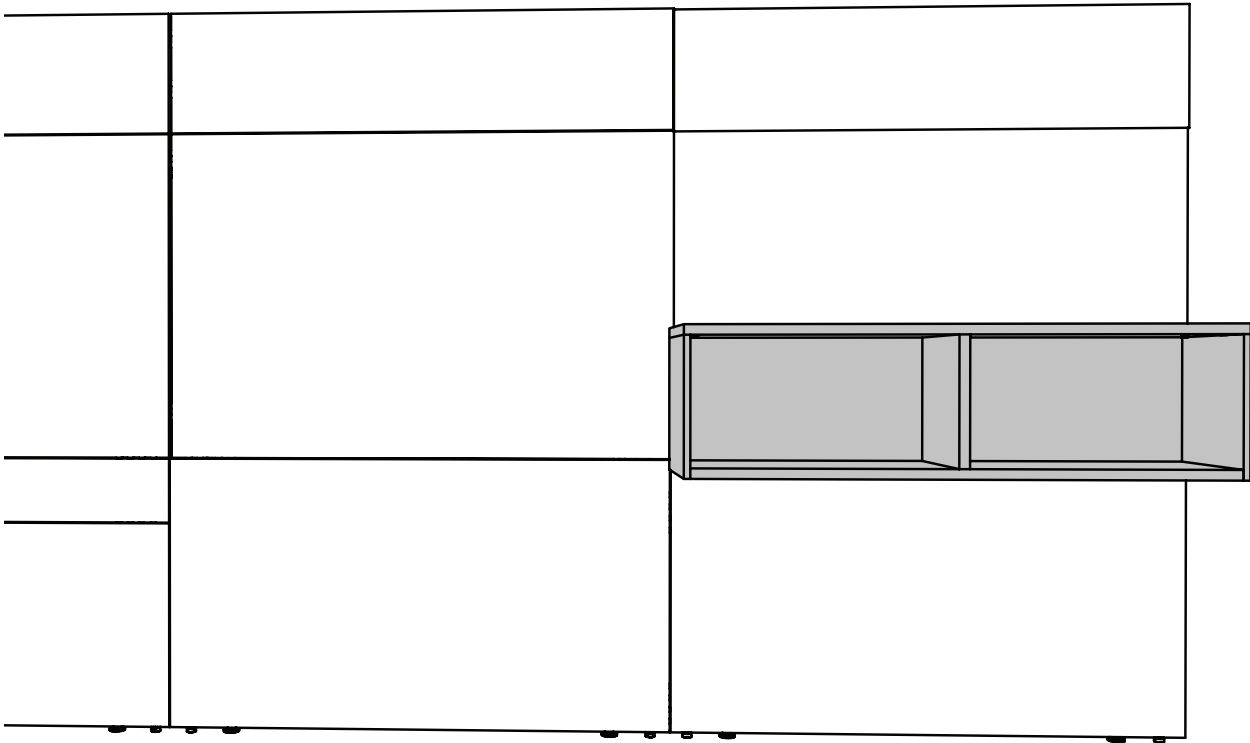


# RESCAPEHUTCH

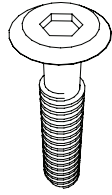
## INSTRUCTIONS



three h

## INCLUDED HARDWARE

---



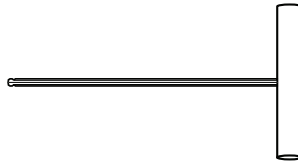
Bolts



Threaded Rod

## REQUIRED TOOLS

---



Allen Wrench  
(Provided)

## GETTING STARTED

---

To install the hutch, the Rescape Tiles must be installed first.

Hardware & tools required may vary depending on the Rescape™ Hutch specifics.  
The following instructions do not specify the amount of hardware included.  
Due to variations in design, a separate hardware list will be provided.

### **DISCLAIMERS!**

- Product that is damaged by the end user due to misuse, accident, abuse, negligence or shipping is not covered under Three H warranty.
- Use tools and hardware mentioned above to avoid any product faults.
- It is best to assemble our furniture with 2 or more persons.
- If you believe you are missing pieces, please contact [replacements@three-h.com](mailto:replacements@three-h.com)



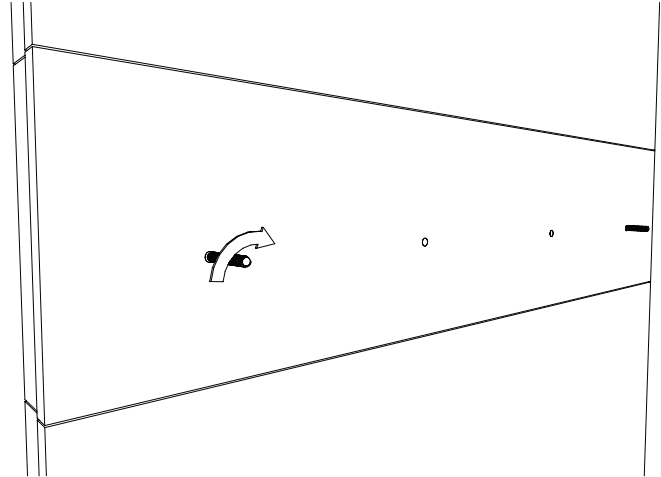
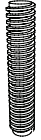
## STEP 1

### Position the Hutch

Insert the Threaded Rods into half of the pre-drilled holes on the Rescape Tiles.

These Rods are to assist with positioning the Hutch, they will be removed after Step 2.

*HOLD THE HUTCH IN PLACE*

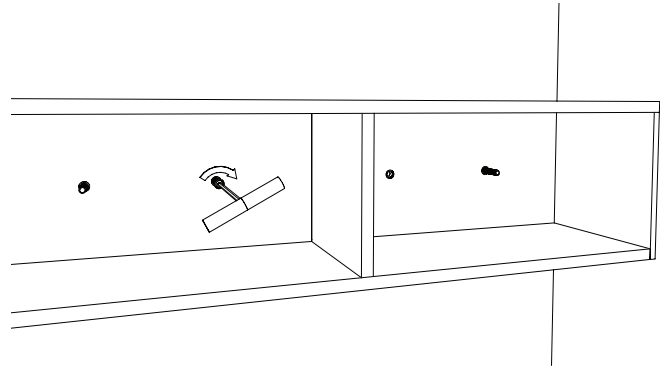


## STEP 2

### Mount the Hutch

Align the holes in the hutch back with the Threaded Rods.

Fasten the Hutch using the bolts provided, tighten securely using the Allen Wrench.



## STEP 3

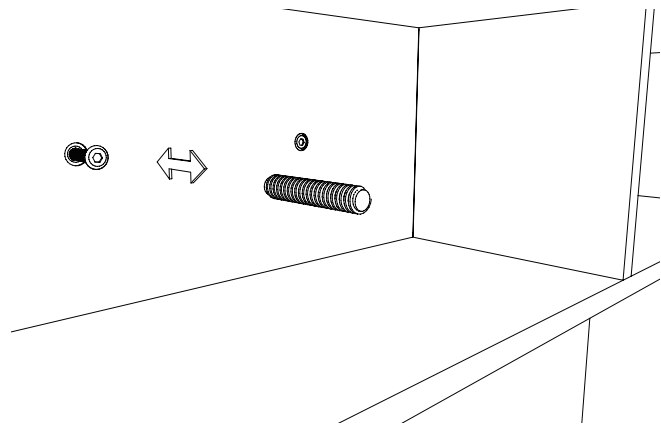
### Install the Tiles

Carefully hang the tiles on the rails.

Starting with the tile slightly above the rails, slide it downwards to clip the brackets onto the rail (*Figure A*).

Lift upwards slightly to slide left or right for tile alignment.

*Repeat Steps 1 to 3 for all tiles.*



**Need Help?**

customer.service@three-h.com | 1.800.767.5374

three h