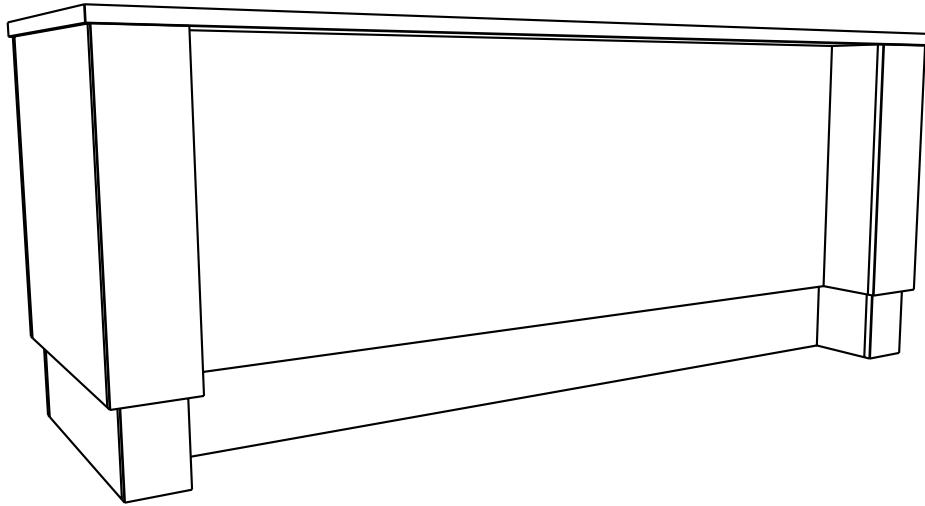


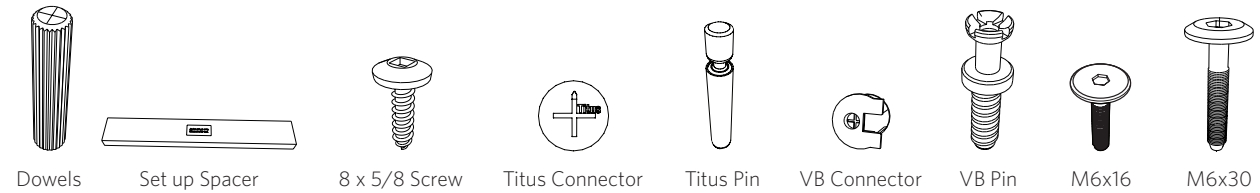
UPSIDE+

INSTRUCTIONS

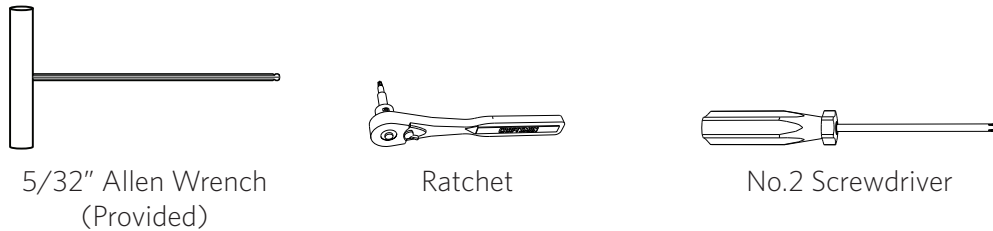


three h

INCLUDED HARDWARE



REQUIRED TOOLS



GETTING STARTED

Assemble on a soft surface to avoid scratching the worksurface.

Hardware & tools required may vary depending on the UpSide™ specifics.
The following instructions do not specify the amount of hardware included.
Due to variations in design, a separate hardware list will be provided.

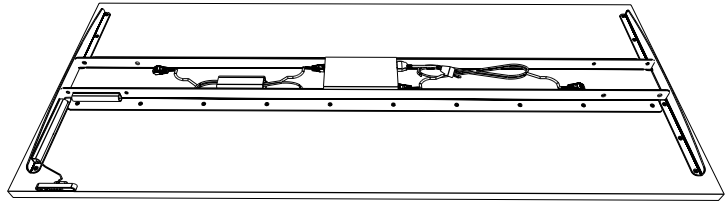
DISCLAIMERS!

- Product that is damaged by the end user due to misuse, accident, abuse, negligence or shipping is not covered under Three H warranty.
- Use tools and hardware mentioned above to avoid any product faults.
- It is best to assemble our furniture with 2 or more persons.
- If you believe you are missing pieces, please contact replacements@three-h.com



STEP 1

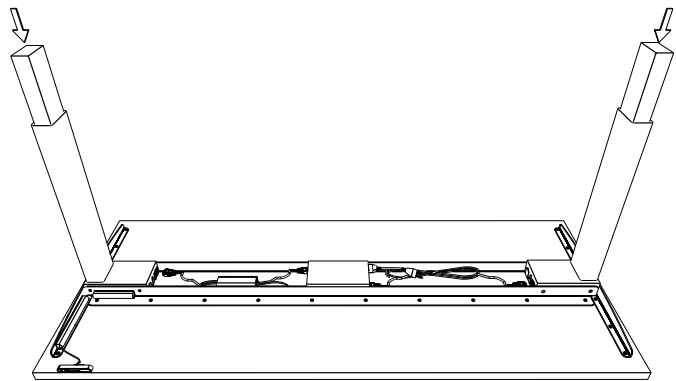
Place the worksurface face down on a soft, clean surface.



STEP 2

Install the Legs

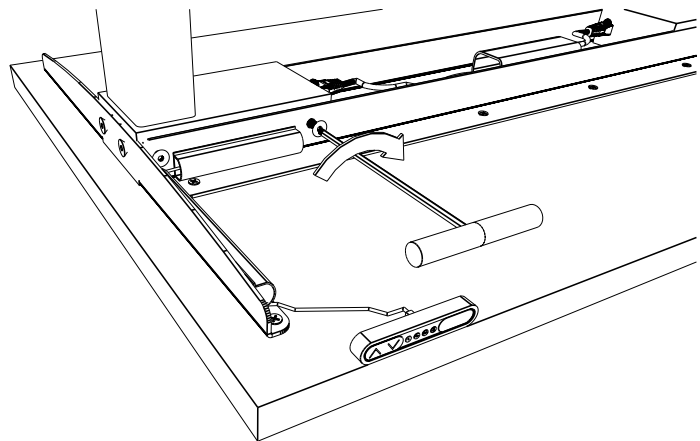
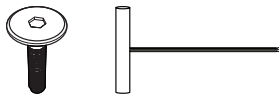
Place the height adjustable legs in position. Align with the pre-drilled holes for Step 3.



STEP 3

Fasten the Legs

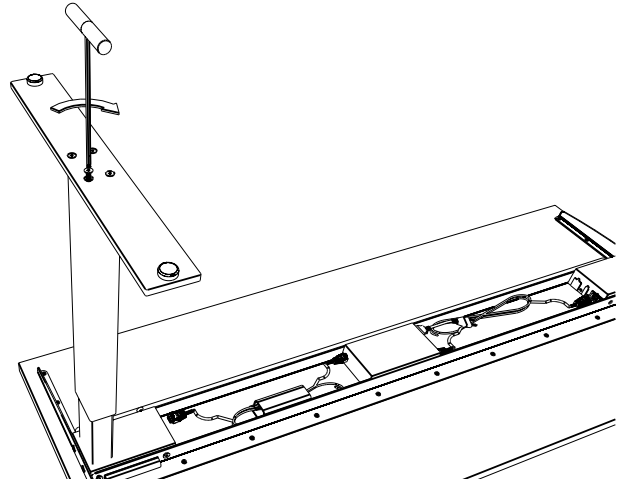
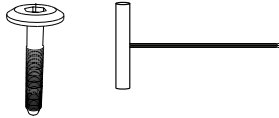
Using six M6x16mm bolts for each leg.



STEP 4

Fasten the Base Plates

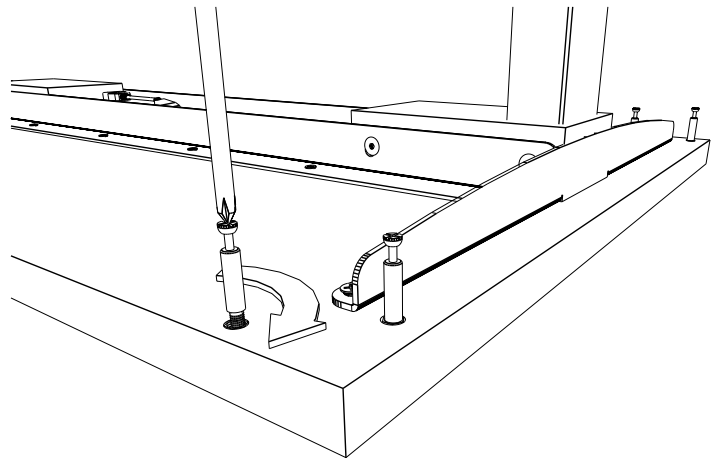
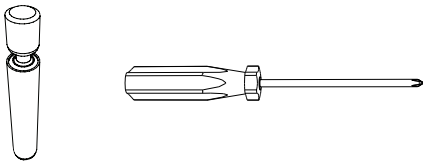
Align the base plates with the pre-drilled holes on the legs and fasten using 4 M6x25mm bolts.



STEP 5

Leg Cover 1

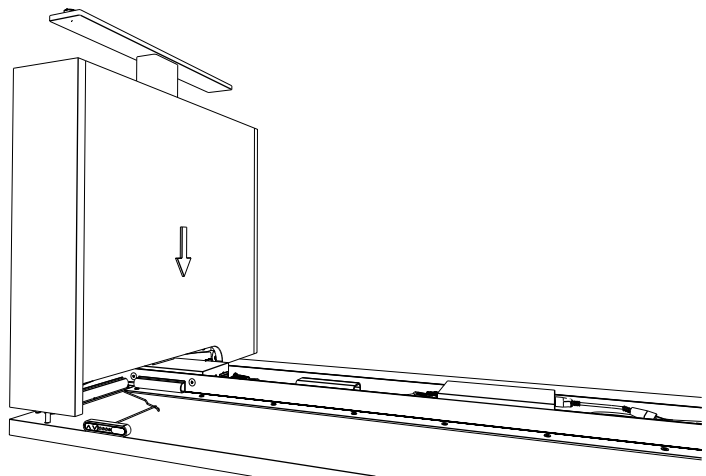
Insert the Titus Pins on the bottom of the worksurface where applicable. These are used to position and fasten the first part of the leg cover.



STEP 6

Mount the Legs

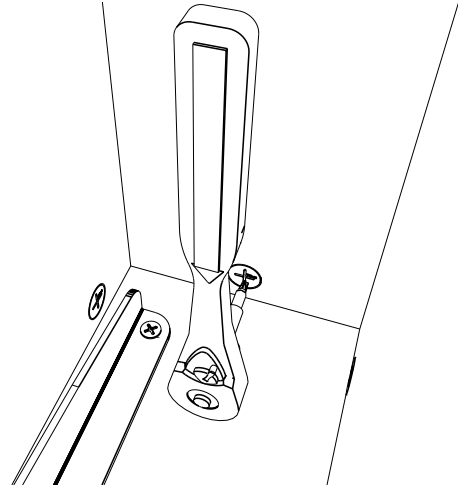
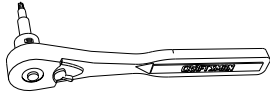
Align the Titus Pins with the pre-drilled holes in the legs.



STEP 7

Fasten the Legs

Using a Ratchet, tighten the Titus Connectors to the Titus Pins, these are located inside the leg.

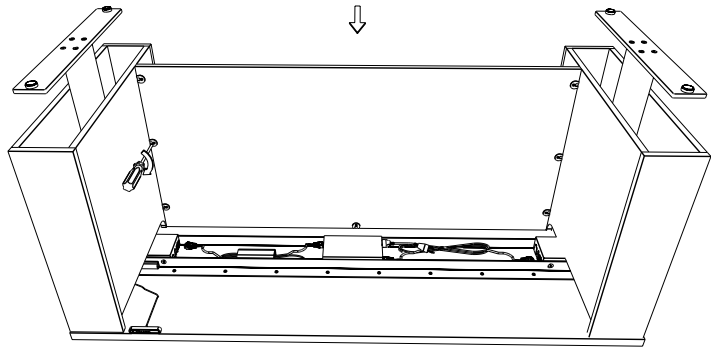
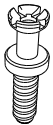


STEP 8

Modesty Installation

If applicable, mount the upper modesty using the VB Pins and Connectors.

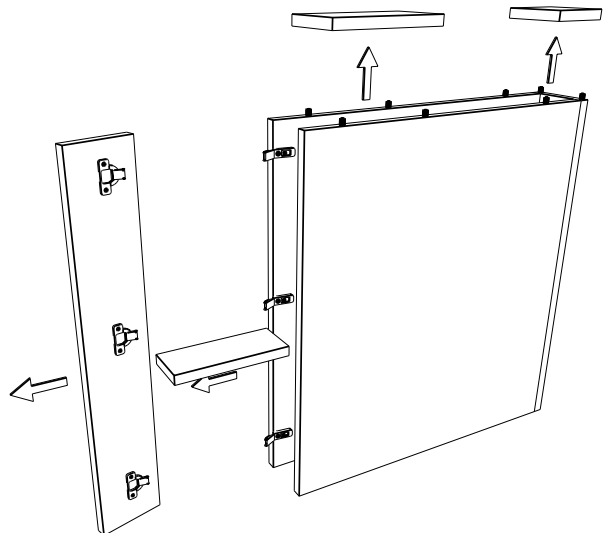
If you don't have a modesty in your configuration, skip this step.



STEP 9

Bottom Leg Cover

The bottom leg cover is shipped with all the parts in place. Remove the 2 top "Spacers" from their dowels. Remove the door + brackets and the inner shelf.

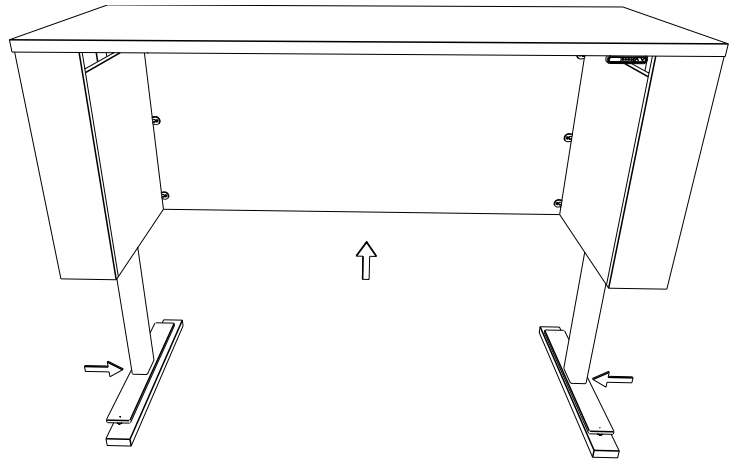


STEP 10

Place Installation Jigs

Flip the desk up and slide a Jig (provided) under each base plate.

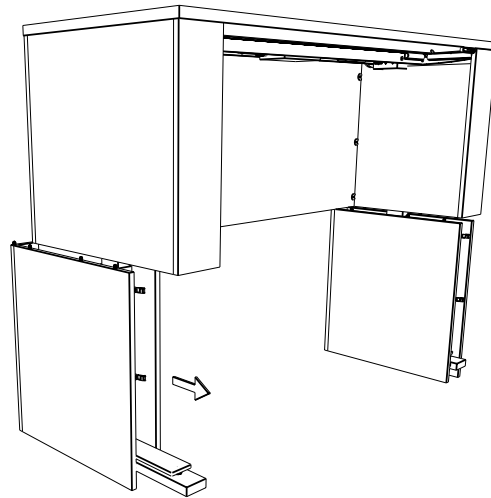
Raise the desk to the highest possible position.



STEP 11

Bottom Leg Installation

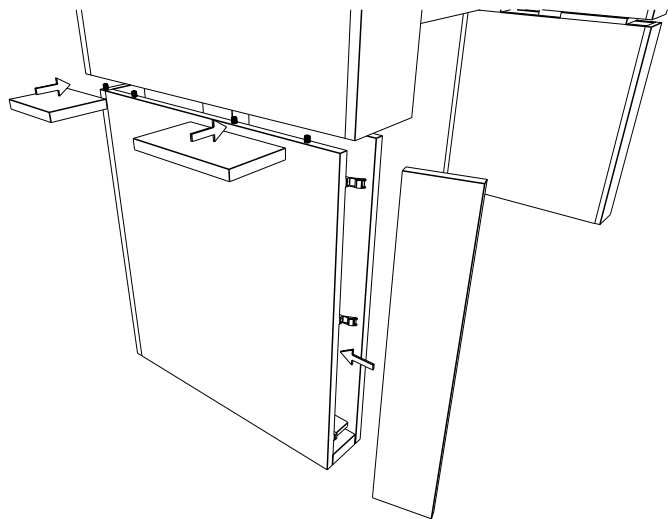
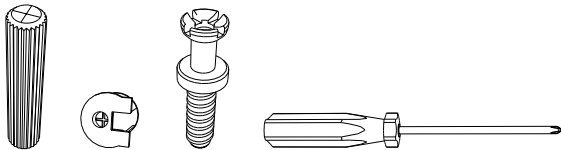
Slide in the Bottom Leg Cover from step 9 into position. The jigs should allow enough room to get the Spacers back onto the dowels.



STEP 12

Spacers, Door & Shelf

Re-install the Spacers, Door and Shelf. Connect the inner shelf with the VB Pins and Connectors.

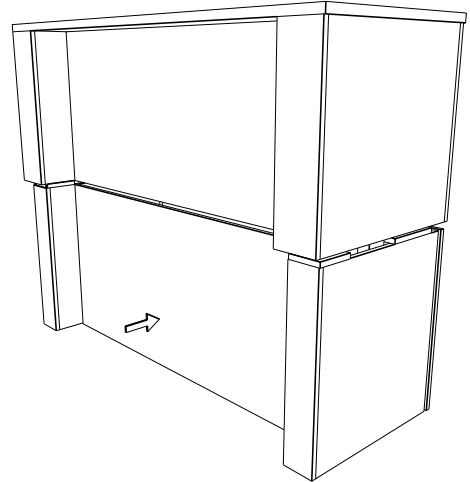
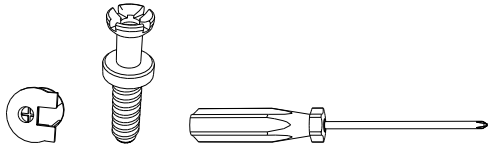


STEP 13

Lower Modesty

If applicable, slide in the lower modesty onto the VB Pins. Tighten the Connectors.

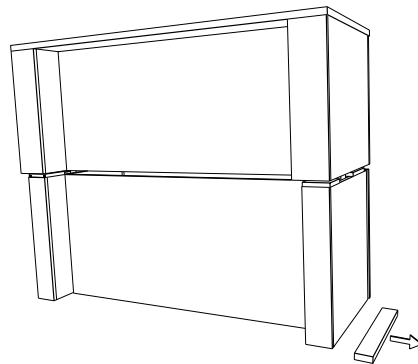
Skip this step if you don't have a lower modesty.



STEP 14

Remove the Spacers

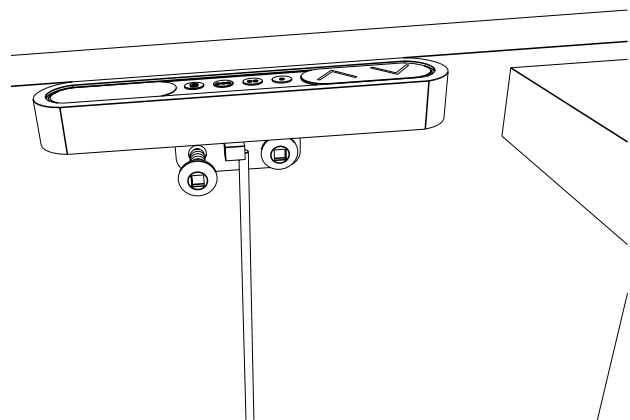
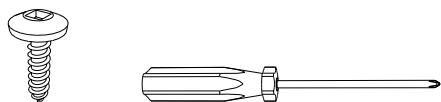
Slide out the spacers from the base plates. If possible, do both at the same time.



STEP 15

Control Install

Place the controller over the pre-drilled holes and fasten using the M6x20mm bolts.



Need Help?

customer.service@three-h.com | 1.800.767.5374

three h