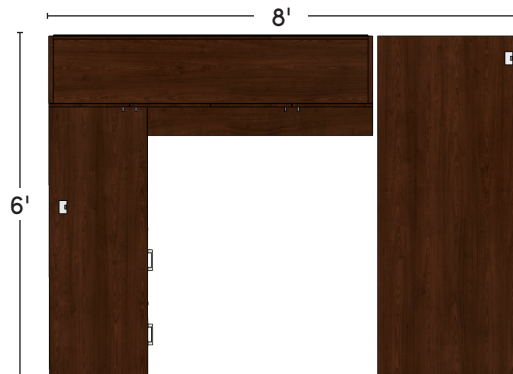




Client/ **Focus Laboratories**

QUOTE NO. 389196
PROJECT NO. 9086
PRODUCT LINE(S) Premiere + UpSide
FOOTPRINT 8' x 6'

LIST PRICE \$6,103
PROJECT TOTAL \$112,480



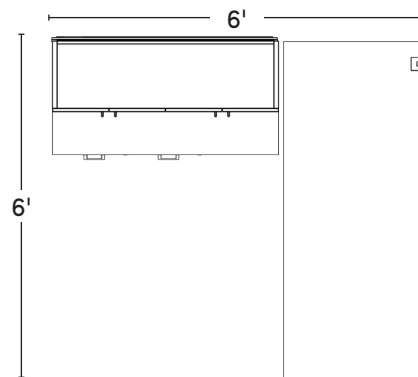
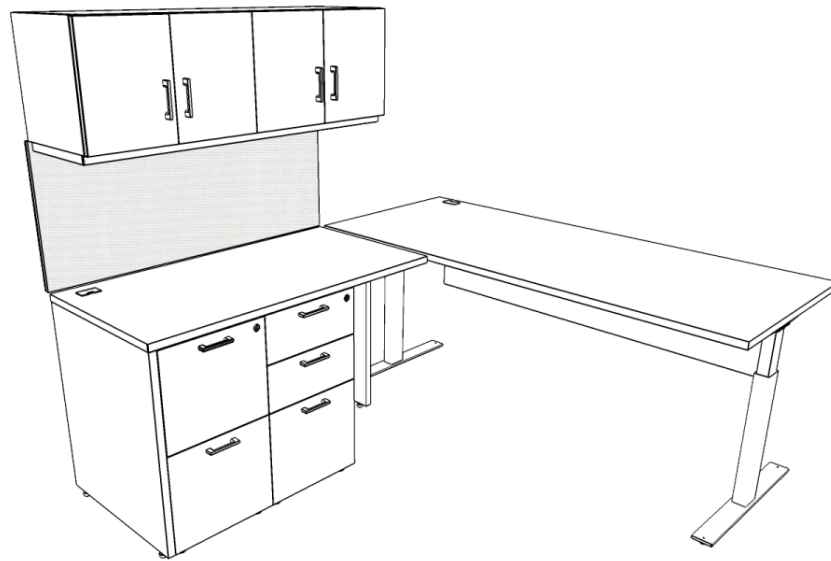
Please Note: List prices may have changed since original project date. For further pricing information or inquiries, please contact customer service or send your email to quotes@three-h.com.



Client/ **Focus Laboratories**

QUOTE NO. 389126 (x 9 Offices)
PROJECT NO. 9086
PRODUCT LINE(S) Premiere + UpSide
FOOTPRINT 6' x 6'

LIST PRICE \$5,430 (x 9)
PROJECT TOTAL \$112,480



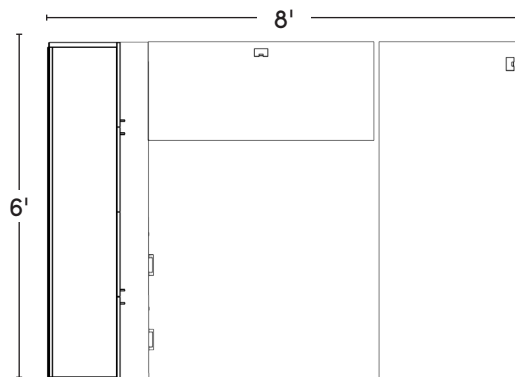
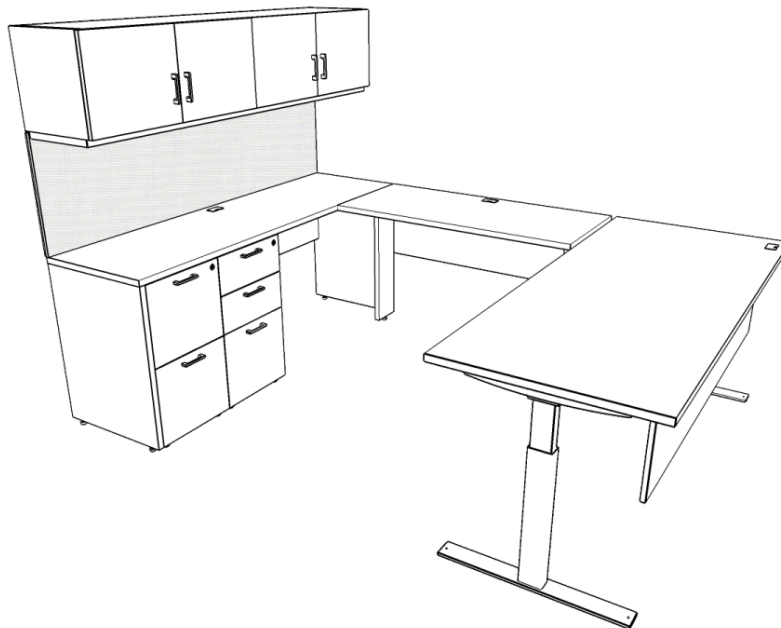
Please Note: List prices may have changed since original project date. For further pricing information or inquiries, please contact customer service or send your email to quotes@three-h.com.



Client/ **Focus Laboratories**

QUOTE NO. 389128 (x 3 Offices)
PROJECT NO. 9086
PRODUCT LINE(S) Premiere + UpSide
FOOTPRINT 8' x 6'

LIST PRICE \$6,105 (x 3)
PROJECT TOTAL \$112,480



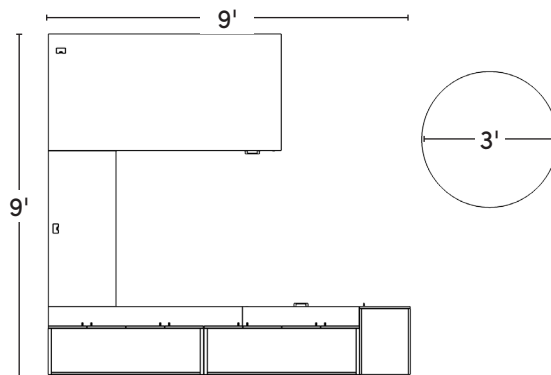
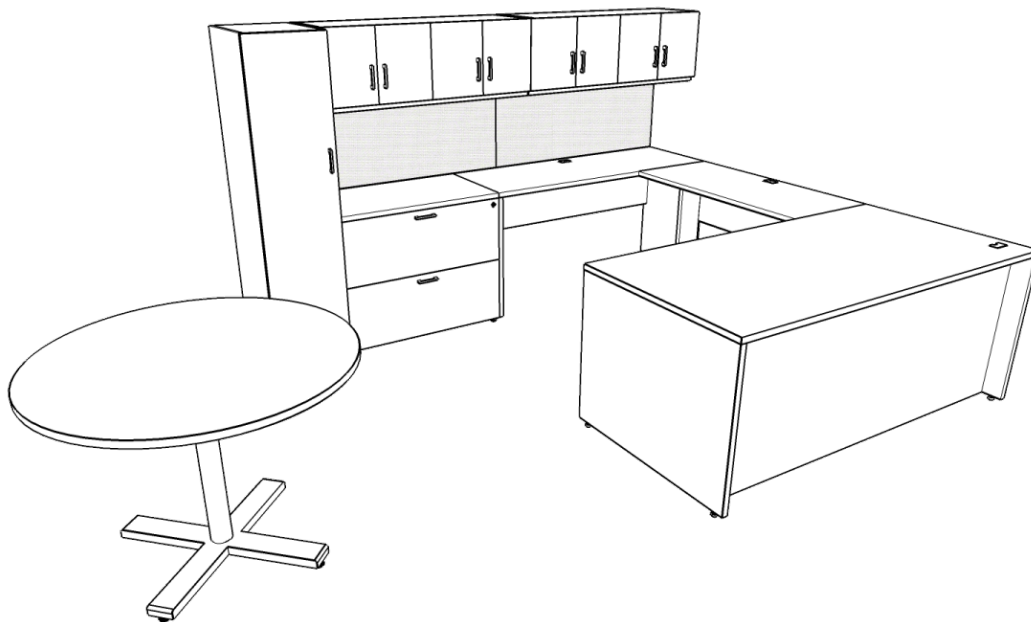
Please Note: List prices may have changed since original project date. For further pricing information or inquiries, please contact customer service or send your email to quotes@three-h.com.



Client/ **Focus Laboratories**

QUOTE NO. 389130
PROJECT NO. 9086
PRODUCT LINE(S) Premiere + UpSide + Unite
FOOTPRINT 9' x 9' / Table=3' dia.

LIST PRICE \$7,201
PROJECT TOTAL \$112,480



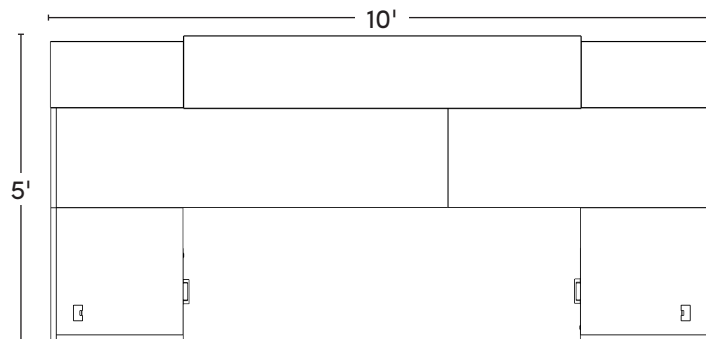
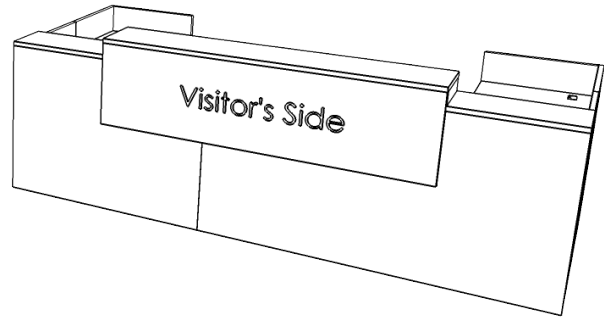
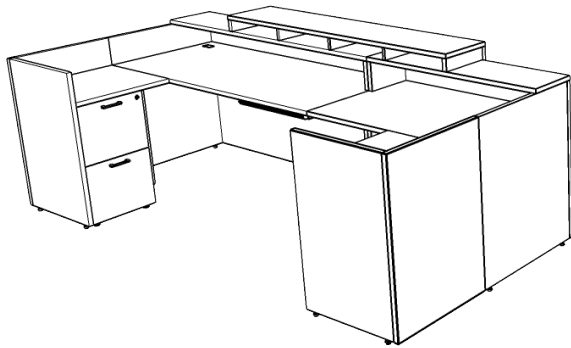
Please Note: List prices may have changed since original project date. For further pricing information or inquiries, please contact customer service or send your email to quotes@three-h.com.



Client/ **Focus Laboratories**

QUOTE NO. 389224
PROJECT NO. 9086
PRODUCT LINE(S) Greet + Premiere
FOOTPRINT 10' x 5'

LIST PRICE \$6,195
PROJECT TOTAL \$112,480



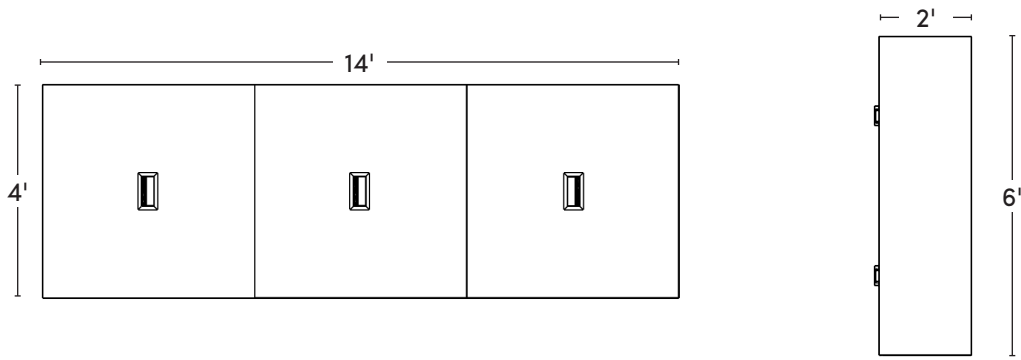
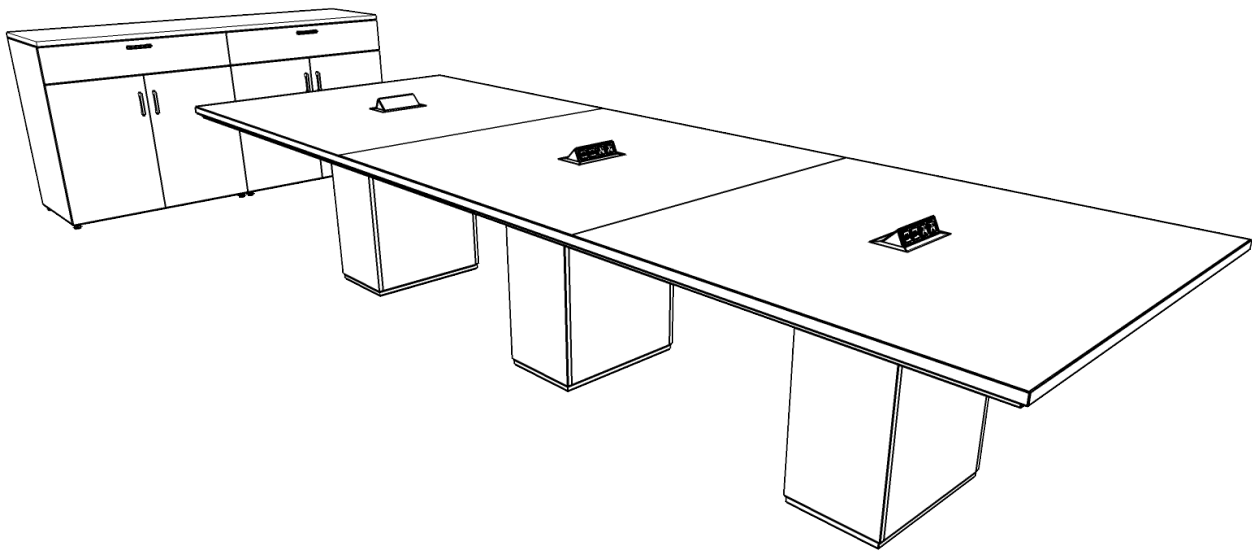
Please Note: List prices may have changed since original project date. For further pricing information or inquiries, please contact customer service or send your email to quotes@three-h.com.



Client/ **Focus Laboratories**

QUOTE NO. 389298
PROJECT NO. 9086
PRODUCT LINE(S) Conference
FOOTPRINT 12' x 4' / 6' x 2'

LIST PRICE \$8,727
PROJECT TOTAL \$112,480



Please Note: List prices may have changed since original project date. For further pricing information or inquiries, please contact customer service or send your email to quotes@three-h.com.



Client/ **Focus Laboratories**

QUOTE NO. 390674 (x 2 Two Pods)

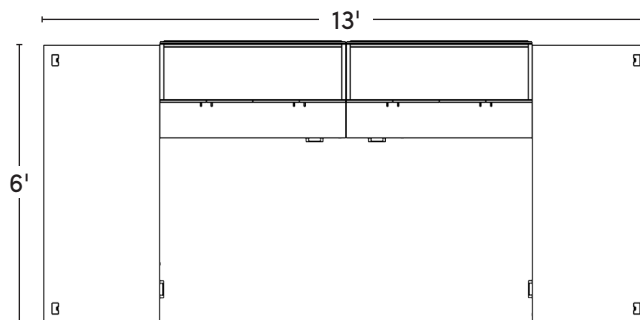
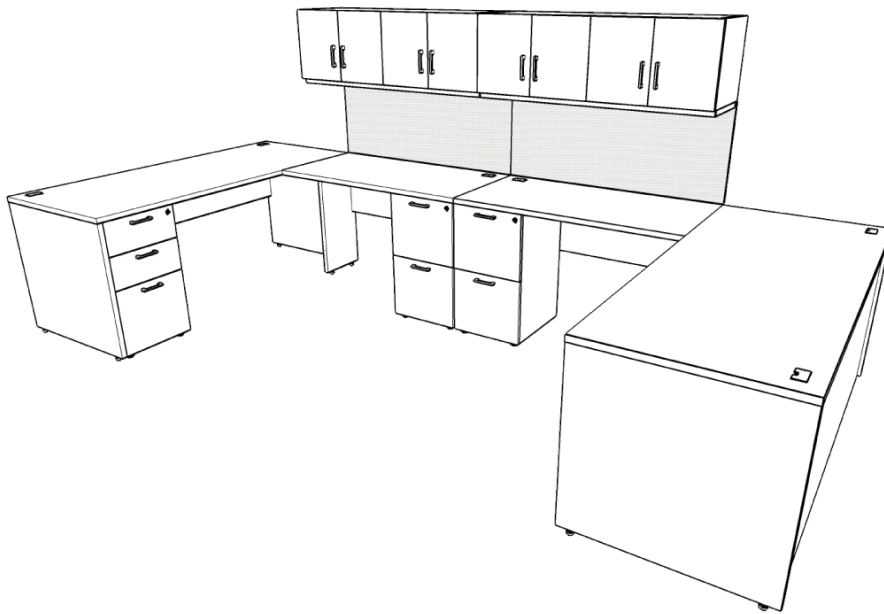
PROJECT NO. 9086

PRODUCT LINE(S) Premiere

FOOTPRINT 13' x 6'

LIST PRICE \$6,927 (x 2)

PROJECT TOTAL \$112,480

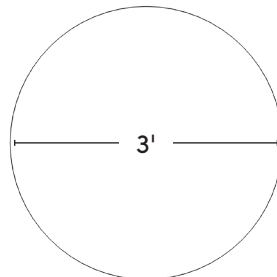
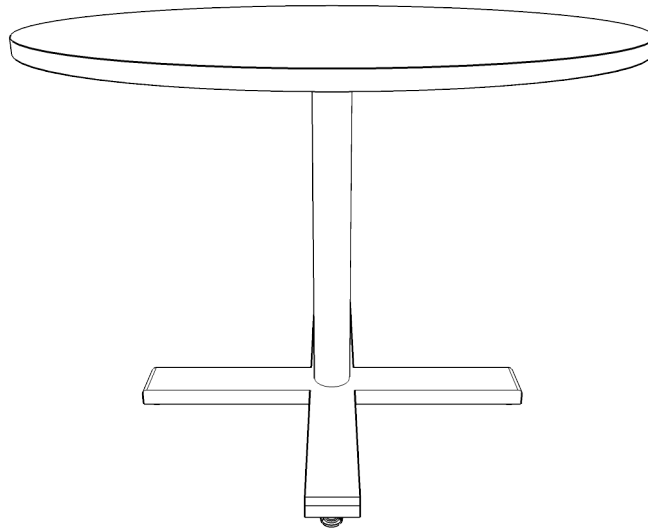


Please Note: List prices may have changed since original project date. For further pricing information or inquiries, please contact customer service or send your email to quotes@three-h.com.

three h

Client/ **Focus Laboratories**

QUOTE NO.	390717 (x 3 Tables)
PROJECT NO.	9086
PRODUCT LINE(S)	Unite
FOOTPRINT	3' dia.
LIST PRICE	\$781 (x 3)
PROJECT TOTAL	\$112,480



Please Note: List prices may have changed since original project date. For further pricing information or inquiries, please contact customer service or send your email to quotes@three-h.com.



Client/ **Focus Laboratories**

QUOTE NO. 390718

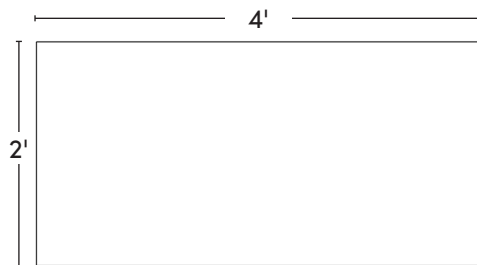
PROJECT NO. 9086

PRODUCT LINE(S) Table

FOOTPRINT 4' x 2'

LIST PRICE \$913

PROJECT TOTAL \$112,480



Please Note: List prices may have changed since original project date. For further pricing information or inquiries, please contact customer service or send your email to quotes@three-h.com.