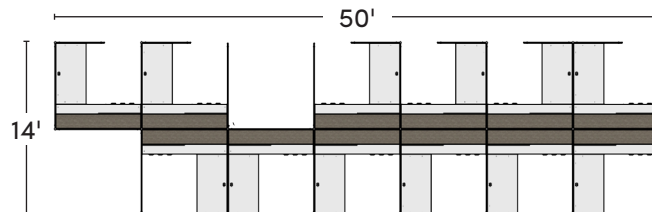
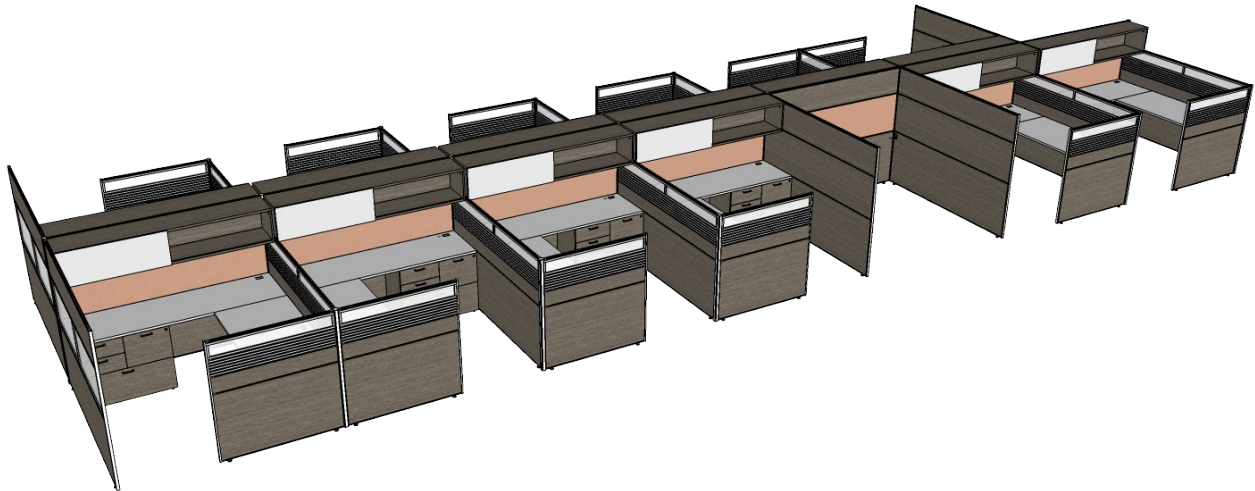




Client/ **Ver-Tex**

QUOTE NO. 402945
PROJECT NO. 10062
PRODUCT LINE(S) MultiStation OS
FOOTPRINT 50' x 14'

LIST PRICE \$85,863
PROJECT TOTAL \$251,481



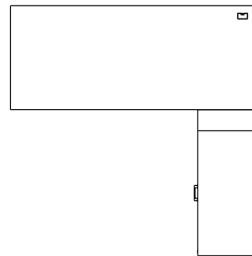
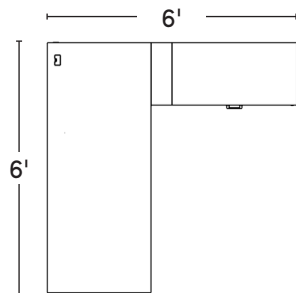
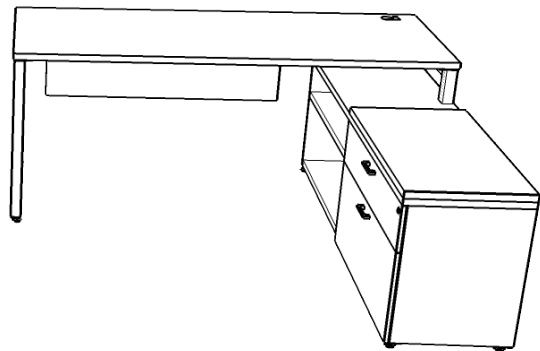
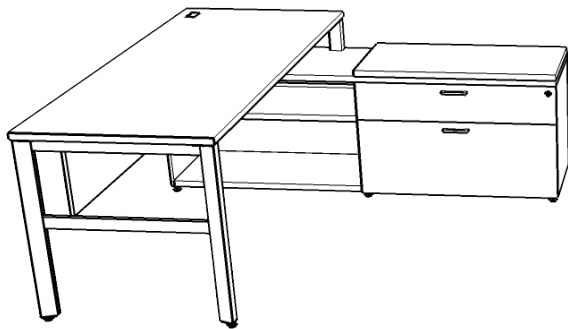
Please Note: List prices may have changed since original project date. For further pricing information or inquiries, please contact customer service or send your email to quotes@three-h.com.



Client/ **Ver-Tex**

QUOTE NO. 402939
PROJECT NO. 10062
PRODUCT LINE(S) Create
FOOTPRINT 6' x 6'

LIST PRICE \$4,910
PROJECT TOTAL \$251,481



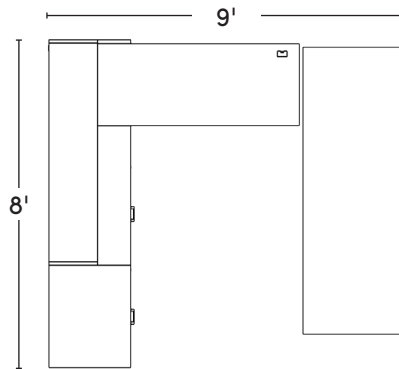
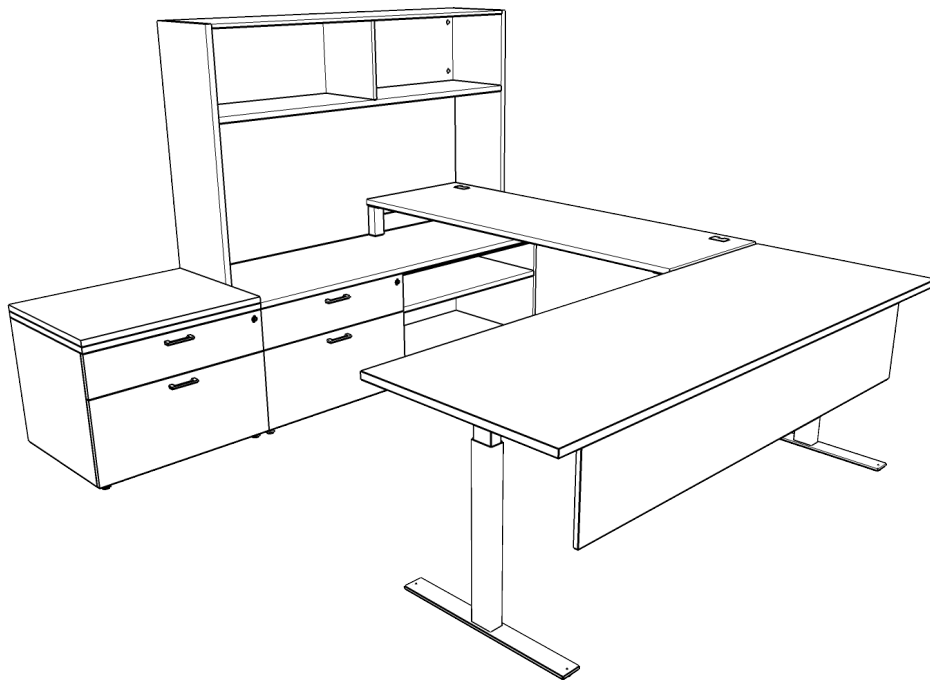
Please Note: List prices may have changed since original project date. For further pricing information or inquiries, please contact customer service or send your email to quotes@three-h.com.



Client/ **Ver-Tex**

QUOTE NO. 402940 (x 4 Offices)
PROJECT NO. 10062
PRODUCT LINE(S) Create + Premiere + UpSide
FOOTPRINT 9' x 8'

LIST PRICE \$4,603 (x 4)
PROJECT TOTAL \$251,481



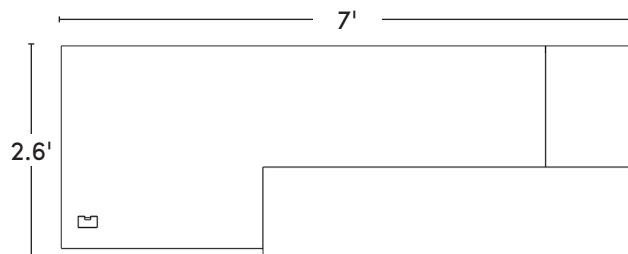
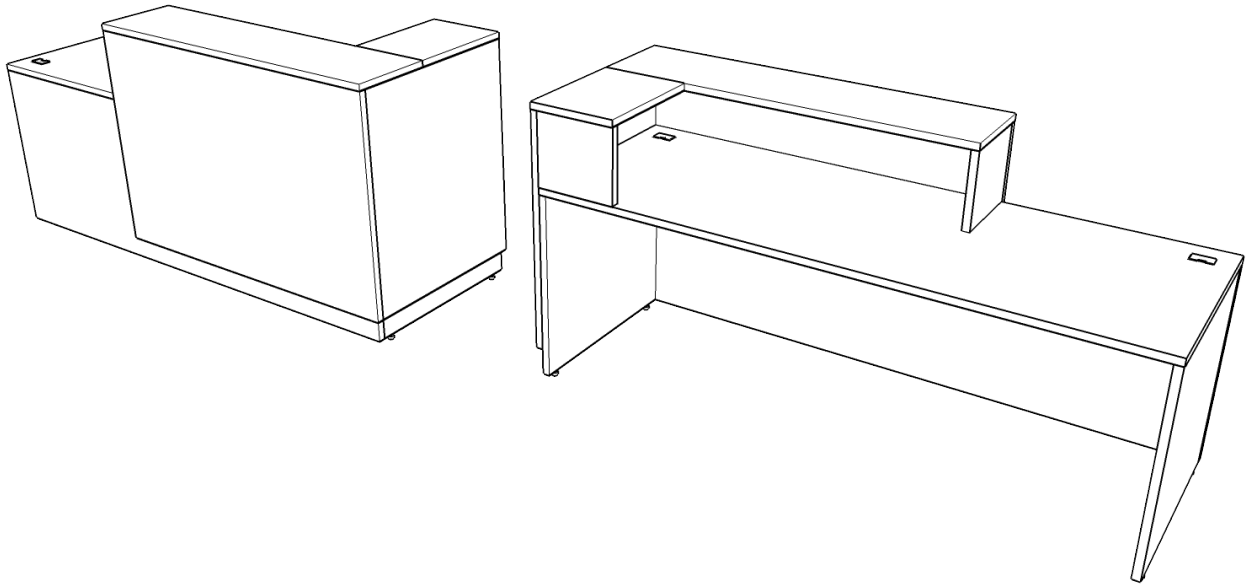
Please Note: List prices may have changed since original project date. For further pricing information or inquiries, please contact customer service or send your email to quotes@three-h.com.



Client/ **Ver-Tex**

QUOTE NO. 402941
PROJECT NO. 10062
PRODUCT LINE(S) Greet
FOOTPRINT 7' x 2.6'

LIST PRICE \$2,412
PROJECT TOTAL \$251,481



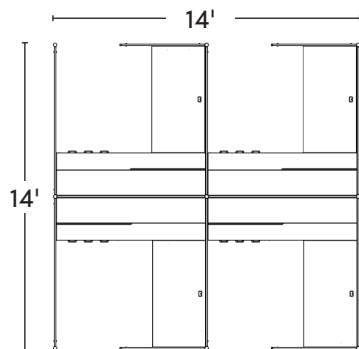
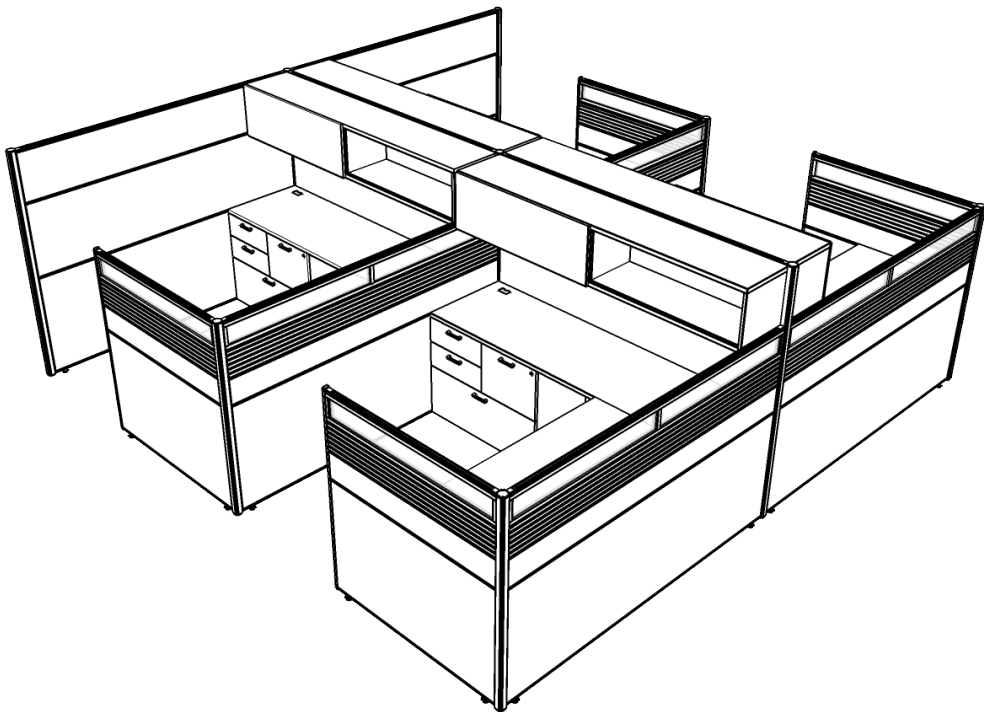
Please Note: List prices may have changed since original project date. For further pricing information or inquiries, please contact customer service or send your email to quotes@three-h.com.



Client/ **Ver-Tex**

QUOTE NO. 402942 (x 2 Four-Packs)
PROJECT NO. 10062
PRODUCT LINE(S) MultiStation OS
FOOTPRINT 14' x 14'

LIST PRICE \$29,501 (x 2)
PROJECT TOTAL \$251,481



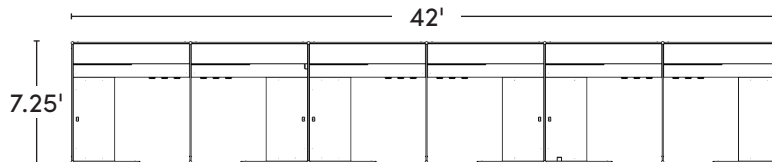
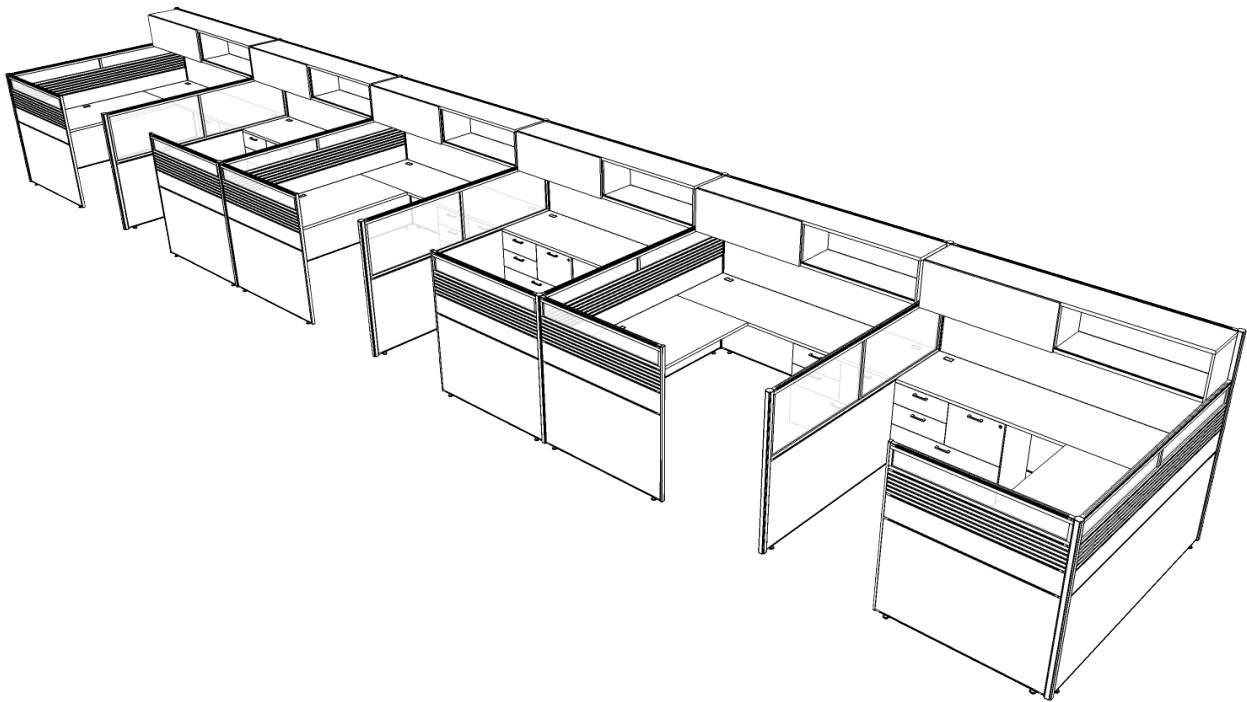
Please Note: List prices may have changed since original project date. For further pricing information or inquiries, please contact customer service or send your email to quotes@three-h.com.



Client/ **Ver-Tex**

QUOTE NO. 402944
PROJECT NO. 10062
PRODUCT LINE(S) MultiStation OS
FOOTPRINT 42' x 7.25'

LIST PRICE \$47,861
PROJECT TOTAL \$251,481



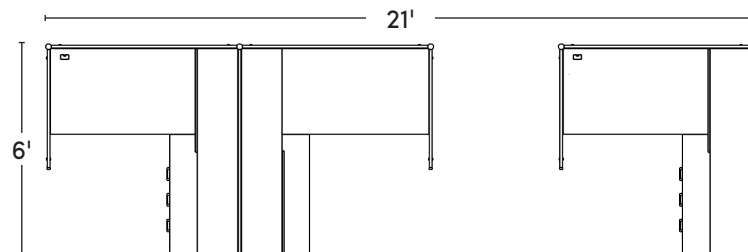
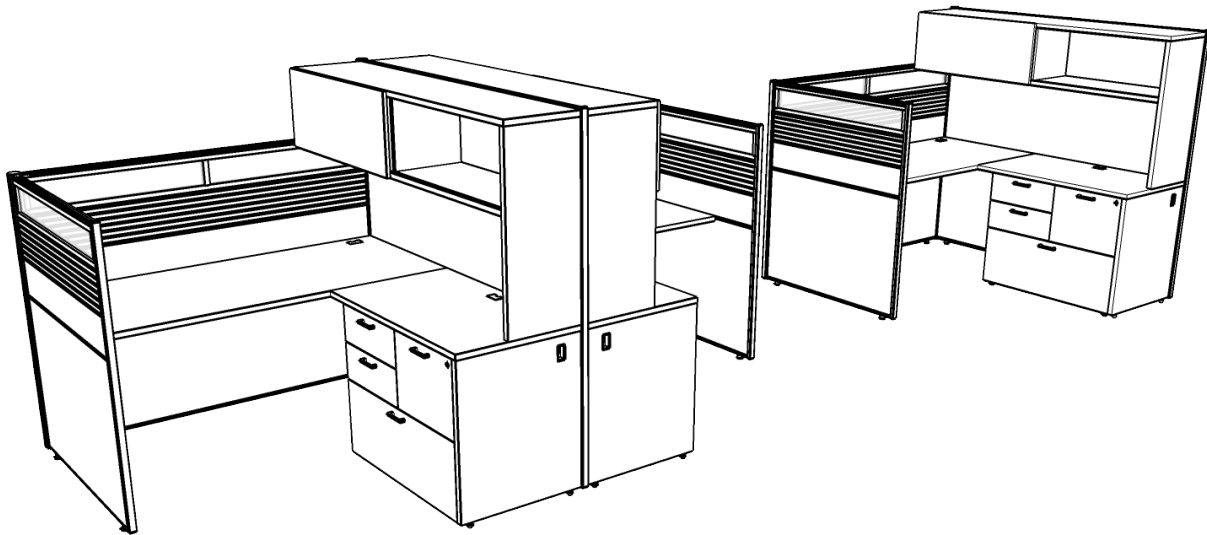
Please Note: List prices may have changed since original project date. For further pricing information or inquiries, please contact customer service or send your email to quotes@three-h.com.

three h

Client/ **Ver-Tex**

QUOTE NO. 402946
PROJECT NO. 10062
PRODUCT LINE(S) MultiStation OS
FOOTPRINT 21' x 6'

LIST PRICE \$17,613
PROJECT TOTAL \$251,481



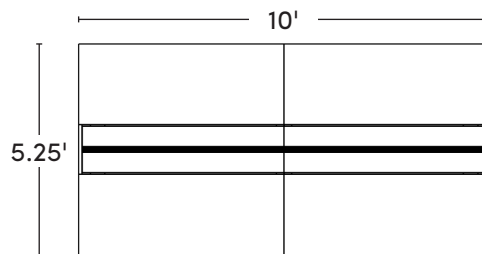
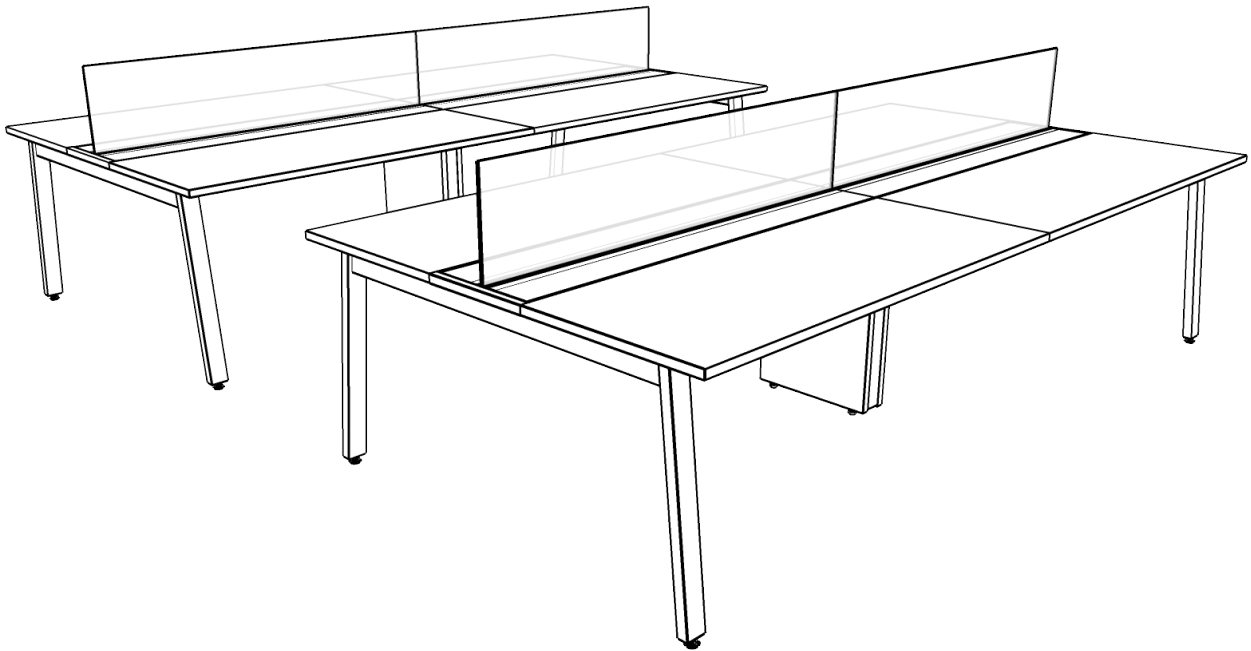
Please Note: List prices may have changed since original project date. For further pricing information or inquiries, please contact customer service or send your email to quotes@three-h.com.

three h

Client/ **Ver-Tex**

QUOTE NO. 402947
PROJECT NO. 10062
PRODUCT LINE(S) Parkway
FOOTPRINT 10' x 5.25'

LIST PRICE \$13,488
PROJECT TOTAL \$251,481



Please Note: List prices may have changed since original project date. For further pricing information or inquiries, please contact customer service or send your email to quotes@three-h.com.