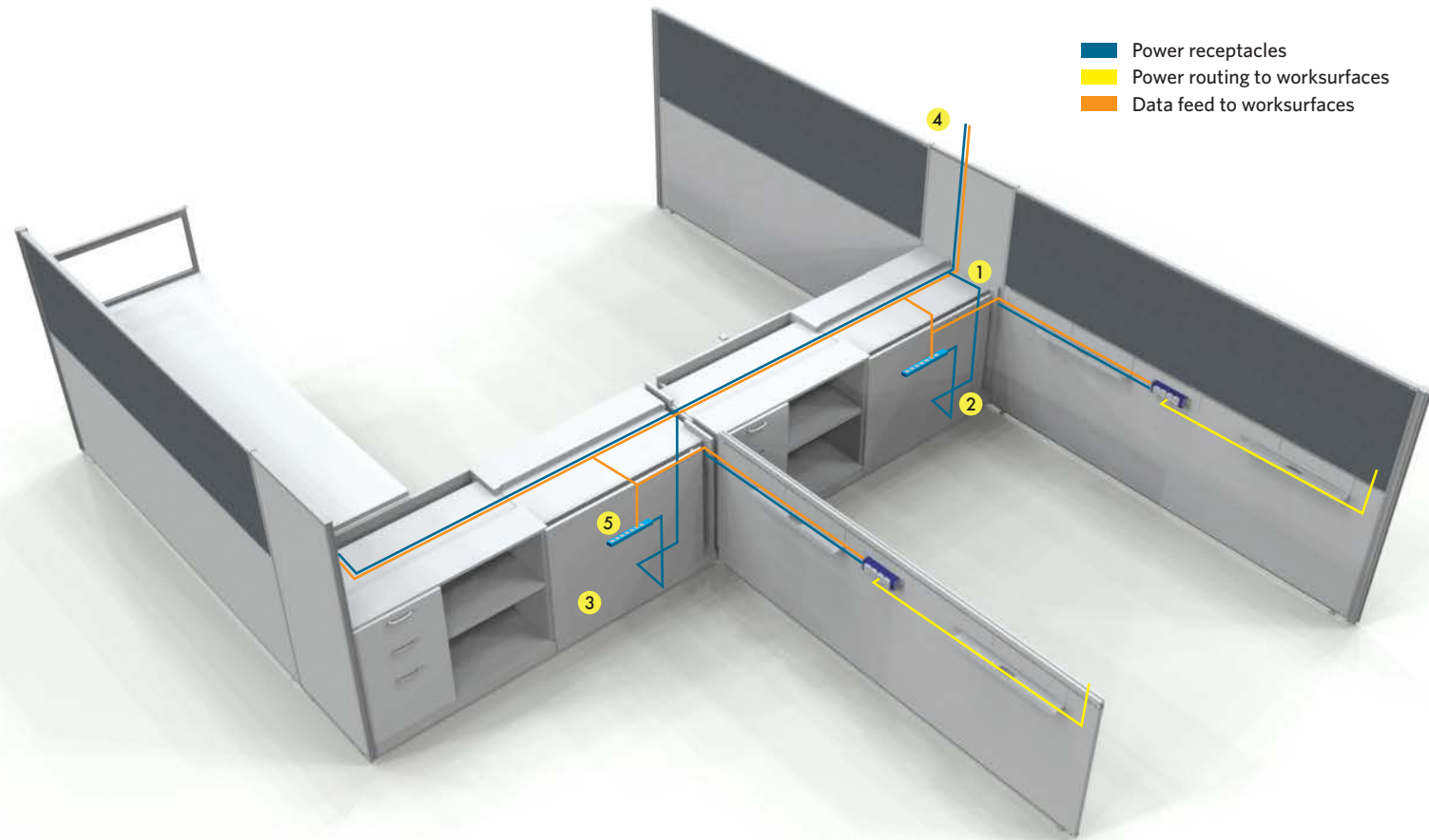


Power 2

Basic power utilizing troughs, grommets and running power through shared storage cabinets



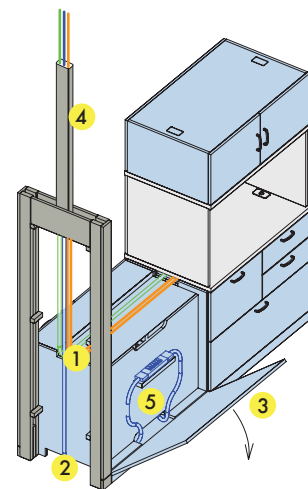
1 Power/data can be routed just below desk level and is accessible from the front, back and sides of open base cabinets. Power/data can be routed across in-line cabinet runs.

3 All base cabinet backs are removable allowing wire access from floor to desk level. Specify wire access back panels under worksurfaces to route cables out of cabinet backs.

5 Multi-circuit modular power with isolated ground circuit.

2 Power/data can be routed at floor level between cabinets.

4 Add a Power Tower kit anywhere between cabinet stacks to feed power/data from the ceiling. Adds a 3" offset to cabinet run.

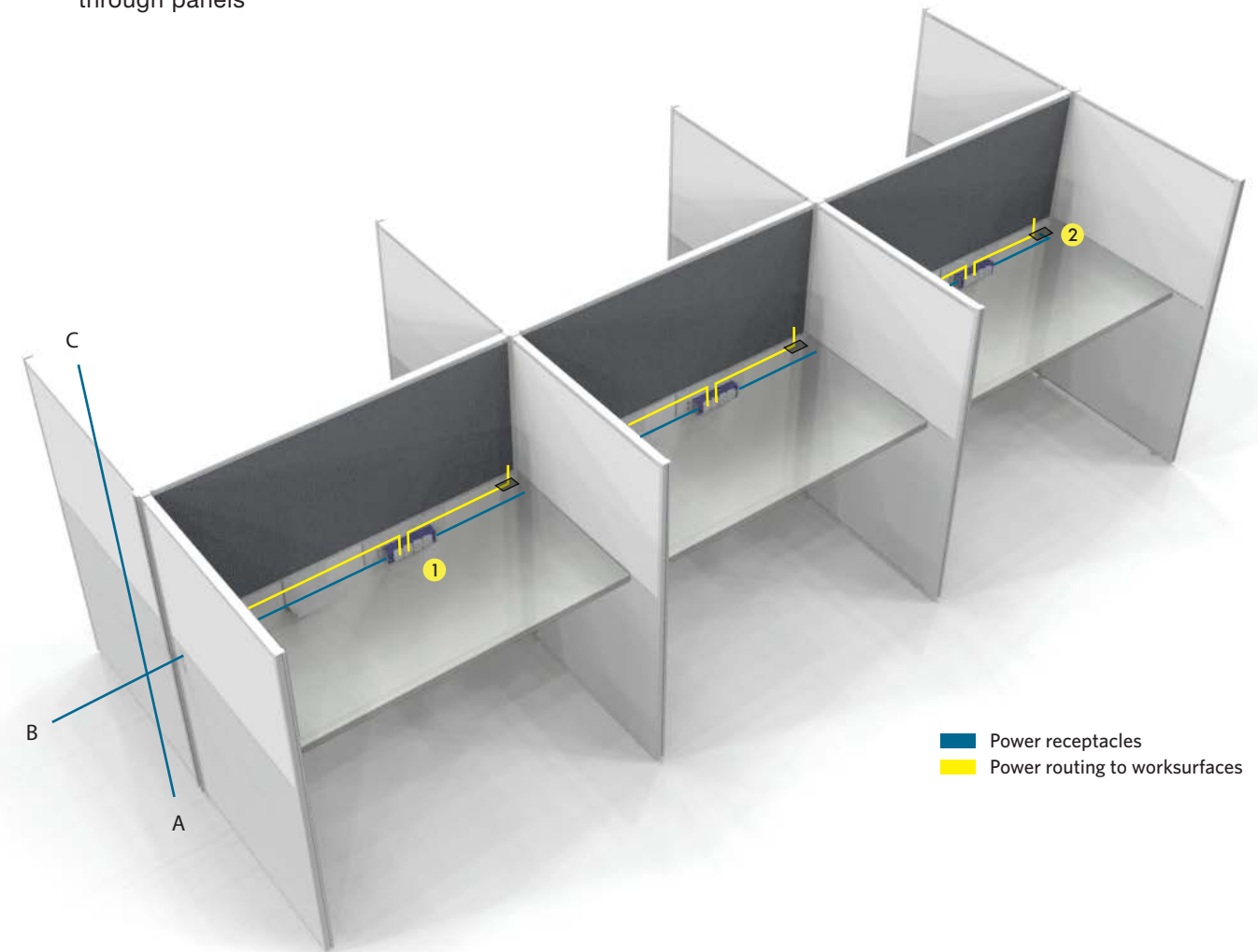


Power & Data Guide

MultiStations OS™

Power 1

Basic power utilizing troughs, grommets and running power through panels



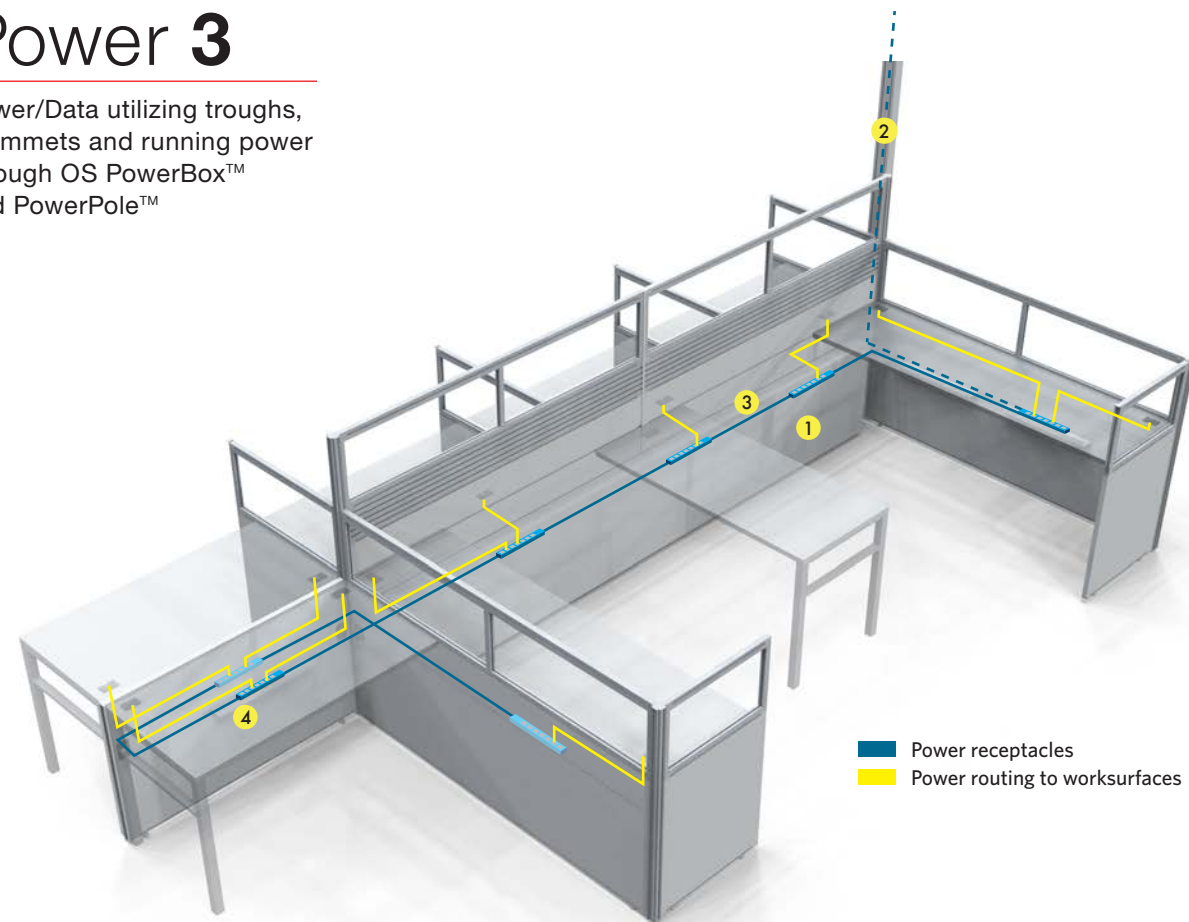
Power feed from floor (A) Wall (B) or ceiling (C)

1 Under worksurface modular power receptacle

2 Patch cord links back side 3 units

Power 3

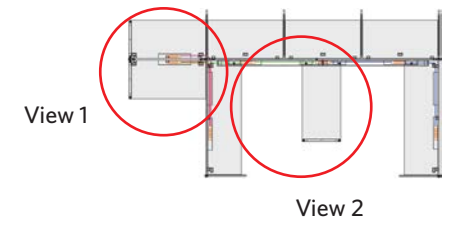
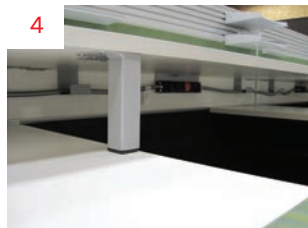
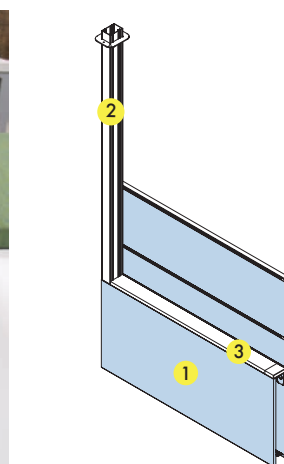
Power/Data utilizing troughs, grommets and running power through OS PowerBox™ and PowerPole™ and PowerPole™



■ Power receptacles
■ Power routing to worksurfaces

- 1 Use OS PowerBox™ base panels to route cables across panel runs not inhibited by worksurfaces and to accommodate high cable volume applications. Available in single or double sided.
- 2 OS PowerPole™ accommodates ceiling feed applications, Connects at either end of all PowerBox™ base panels. 2a - with cover 2b - front cover removed
- 3 Flip up top cover allows top access to receptacles and secondary cable routing. Removable panels provide access to higher volume primary routing capacity.

- 4 Under worksurface modular power receptacle



■ Power receptacles
■ Power routing to worksurfaces
■ Data feed to worksurfaces

