

2018

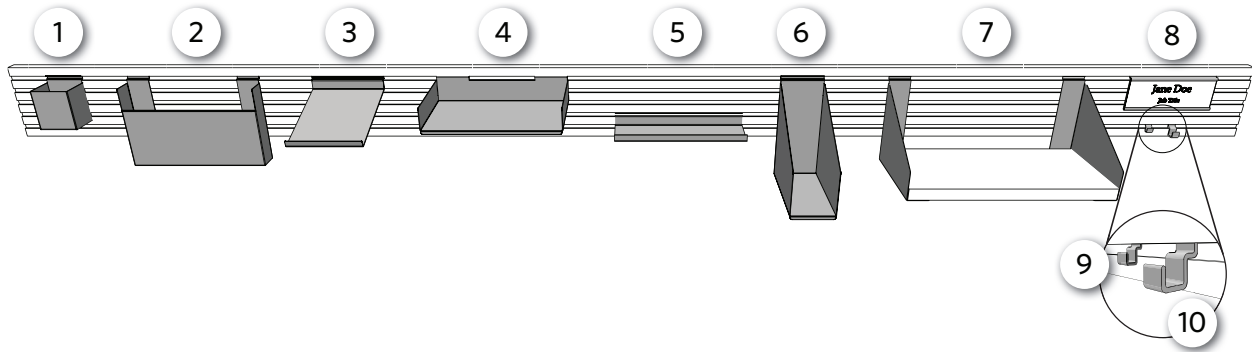
May

Accessories

Rail Mounted

SPECIFICATIONS & PRICING

three h



ACCESSORIES	WIDTH	DEPTH	HEIGHT	PRODUCT CODE	LIST PRICE \$
① Pencil Bin	3"	3"	4"	GERA03-PB-S	\$79
② Vertical Tray	8.5"	2"	12"	GERA12-VO-S	83
	15"	2"	12"	GERA15-VO-S	88
③ Telephone Tray	6.5"	9"	3.5"	GERA07-TT-S	42
④ Paper Tray	12"	8.5"	2"	GERA12-PT-S	75
	15"	8.5"	2"	GERA15-PT-S	82
⑤ Pencil Tray*	12"	5"	1"	OS-PENCILTRAY2	29
⑥ Binder Bin	4"	10"	8.5"	GERA04-BB-S	126
⑦ Shelf Tray	18"	10"	8"	GERA18-ST-S	136
	24"	10"	8"	GERA24-ST-S	145
	30"	10"	8"	GERA30-ST-S	152
	36"	10"	8"	GERA36-ST-S	158
	42"	10"	8"	GERA42-ST-S	171
⑧ Name Plate	8"	1/16"	3"	OS-NAMETAG	102
⑨ Utility Hook (set of 3)	14mm	9mm	21mm	OS-UTILITYHOOK3	26
⑩ Coat Hook	20mm	27mm	35mm	OS-COATHOOK	9

*ONLY AVAILABLE IN SILVER (S)

ALL OTHER ACCESSORIES ARE AVAILABLE IN WHITE. REPLACE (S) FOR (W) IN THE PRODUCT CODE.

Three H Furniture Systems Limited

156462 Clover Valley Rd.
New Liskeard, ON
Canada POJ 1P0

T. 1.800.767.5374
F. 1.888.484.5786

customer.service@three-h.com
www.three-h.com



Revision 1 - May 9 2018