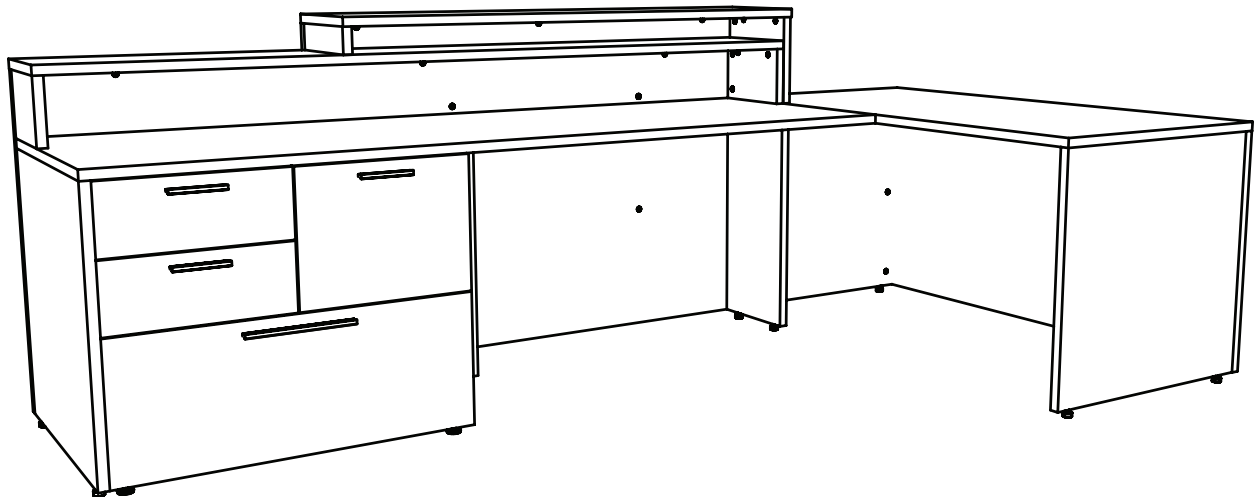


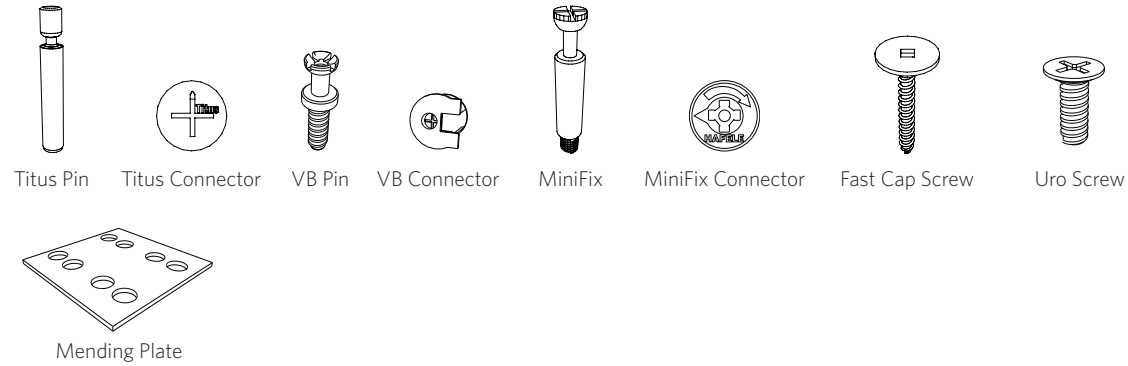
GREET

INSTRUCTIONS

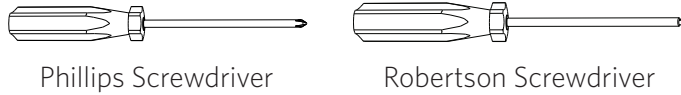
L Shape + Cap



INCLUDED HARDWARE



REQUIRED TOOLS



GETTING STARTED

Assemble on a soft surface to avoid scratching the laminate.

Hardware & tools required may vary depending on the Greet™ specifics.
The following instructions do not specify the amount of hardware included.
Due to variations in design, a separate hardware list will be provided.

DISCLAIMERS!

- Product that is damaged by the end user due to misuse, accident, abuse, negligence or shipping is not covered under Three H warranty.
- Use tools and hardware mentioned above to avoid any product faults.
- It is best to assemble our furniture with 2 or more persons.
- If you believe you are missing pieces, please contact replacements@three-h.com



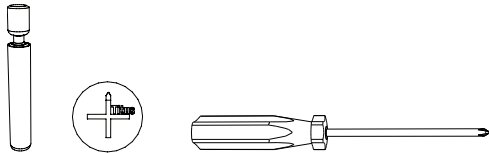
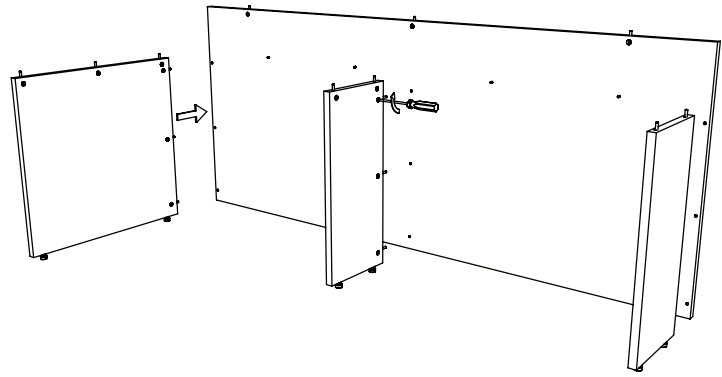
STEP 1

Main Desk - Leg Installation

Rest the Modesty on the provided spacers.

Align the Titus pins on the legs to the pre-drilled holes on the modesty.

Fasten the Titus Connectors with a Phillips screwdriver.



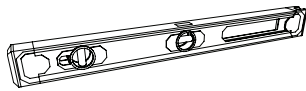
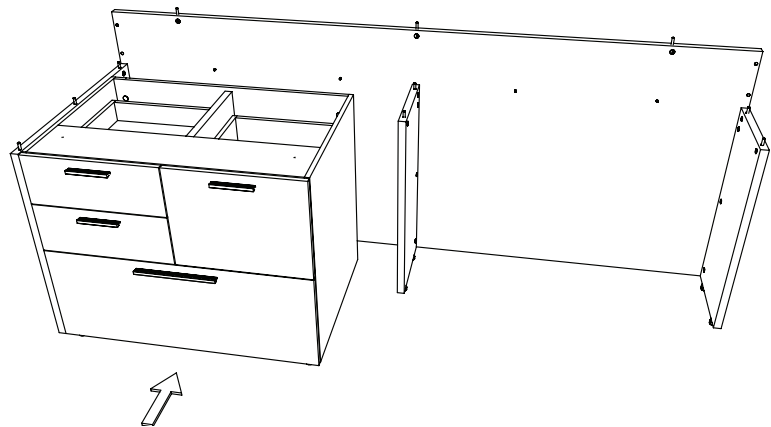
STEP 2

Position the Pedestal

Align the door fronts to the leg.

Use a level to ensure the worksurface will lay properly.

Remove the two top drawers.

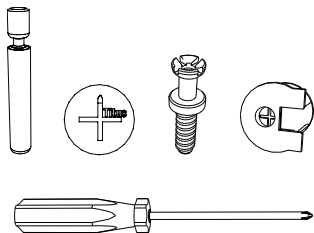
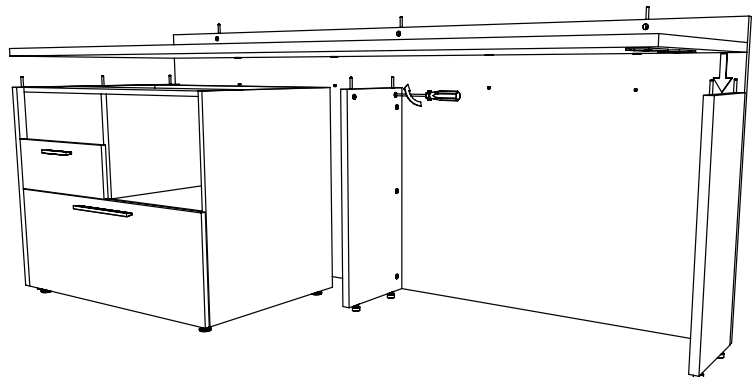


STEP 3

Main Desk - Top Installation

Lower the top onto the Titus & VB Pins.

Fasten the worksurface using a Phillips screwdriver on the Titus Connectors and VB Connectors.

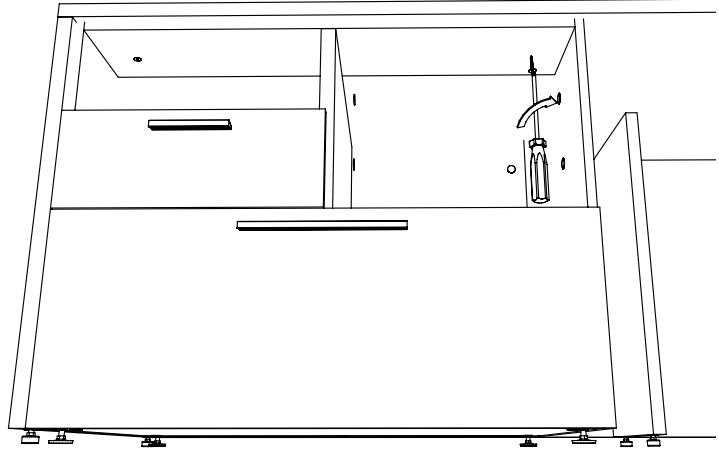
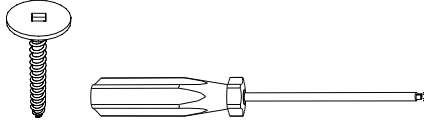


STEP 4

Pedestal Installation

Remove the two top drawers of the pedestal. Use 2 Panhead Screws and a Phillips screwdriver.

Slide the drawers back onto the glides.

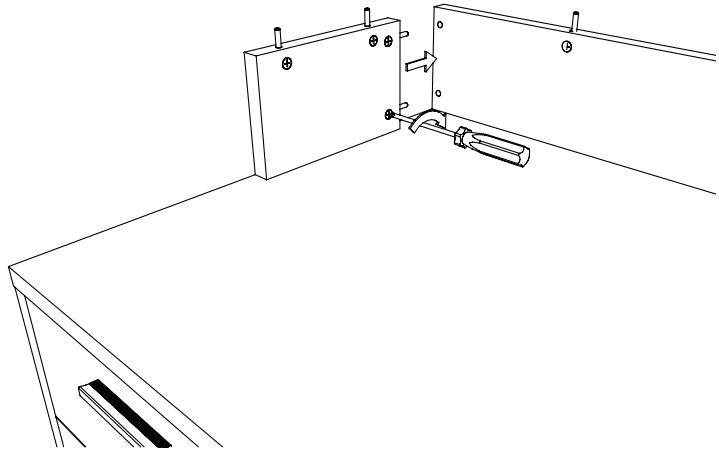
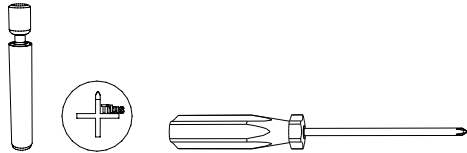


STEP 5

Main Desk - Upright Installation

Slide the 2nd uprights into place.

Fasten the Titus Connectors with a Phillips screwdriver.

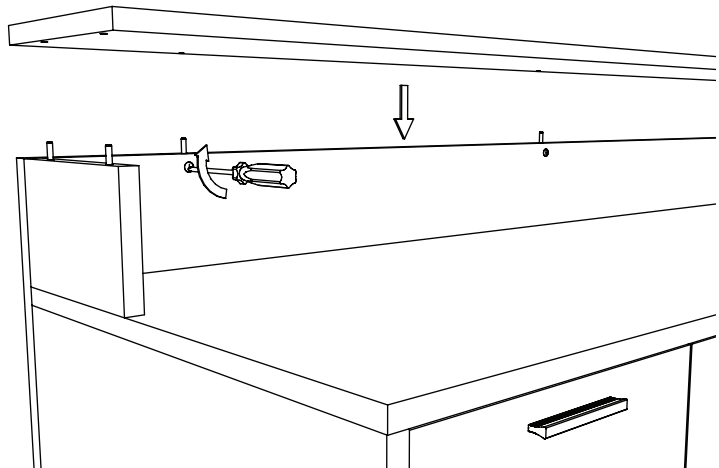
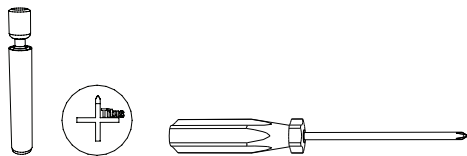


STEP 6

Main Desk - Riser Top Installation

Lower the top onto the Titus Pins.

Fasten the Titus Connectors with a Phillips screwdriver.

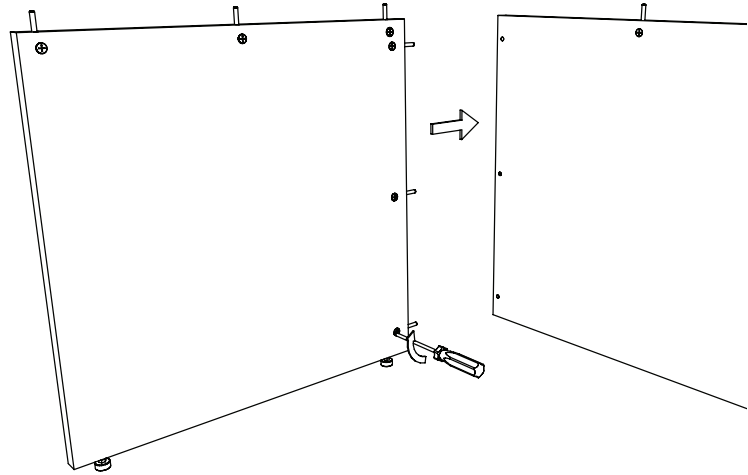
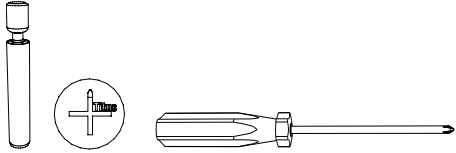


STEP 7

Return Desk - Leg Installation

Slide the leg Titus Pins into the modesty pre-drilled holes.

Fasten the Titus Connectors using a Phillips screwdriver.

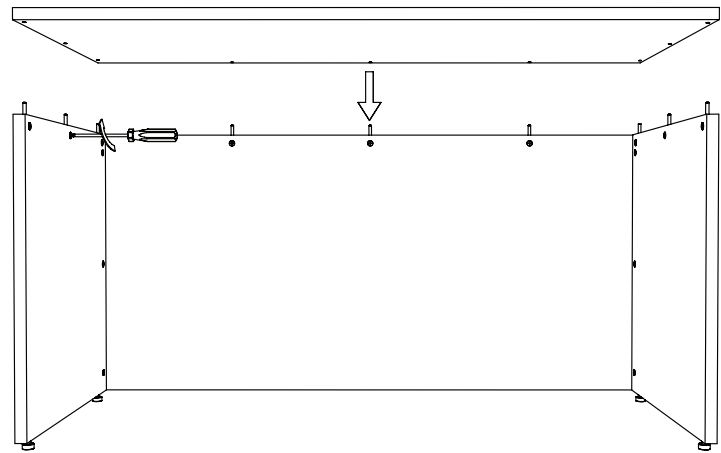
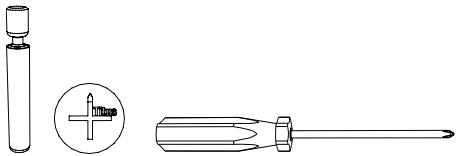


STEP 8

Return Desk - Top Installation

Lower the top onto the Titus Pins.

Fasten the Titus Connectors using a Phillips Screwdriver

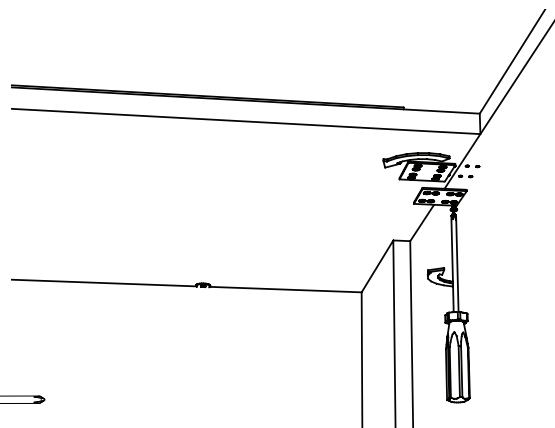
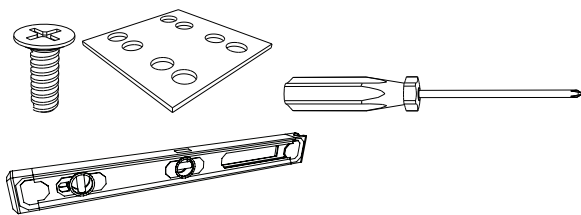


STEP 9

Combine the Desks

Push the desks together and level them out. Swing the Mending plates over top of the pre-drilled holes.

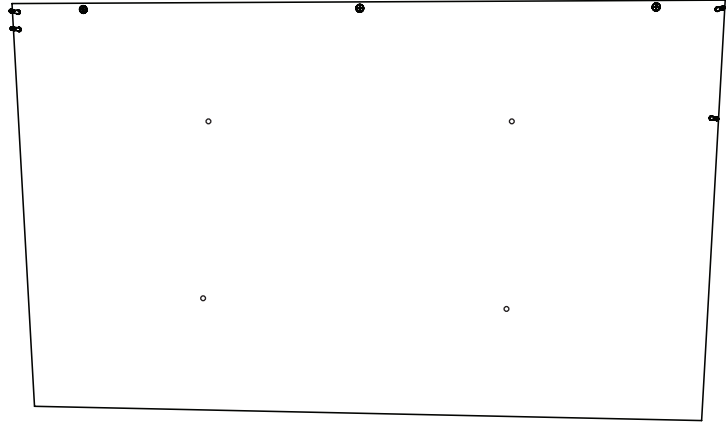
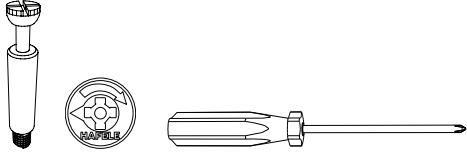
Fasten using Uro Screws.



STEP 10

Greet Cap - Modesty

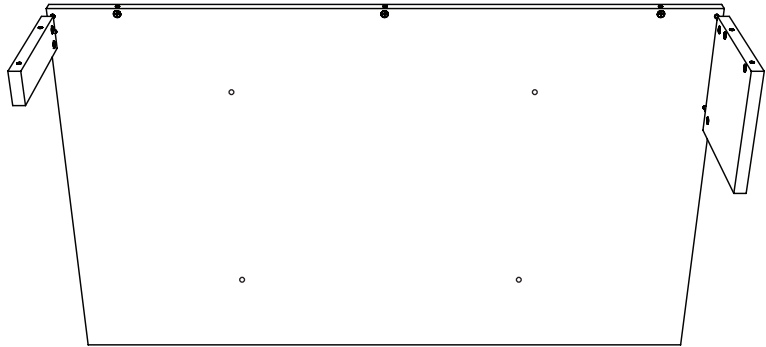
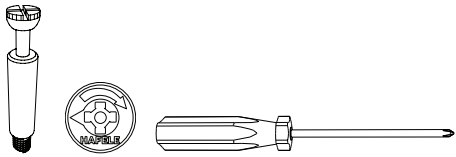
The Cap is built with MiniFix Pins which need to be fastened into brass dowels using a Phillips screwdriver.



STEP 11

Greet Cap - Upright Installation

Slide the Uprights onto the MiniFix Pins Fasten using the MiniFix Connectors and a Phillips screwdriver.

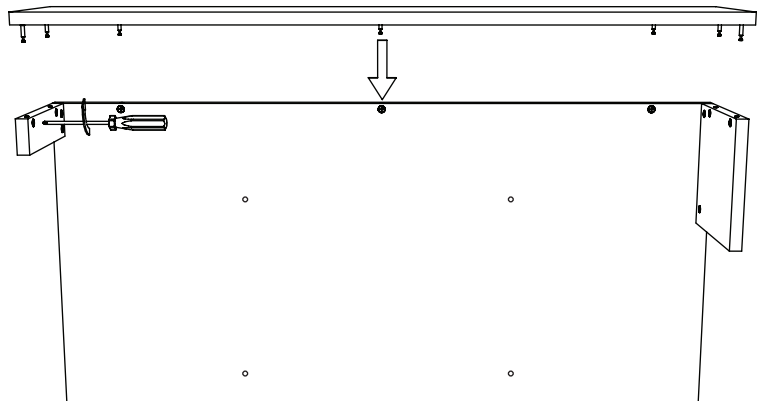
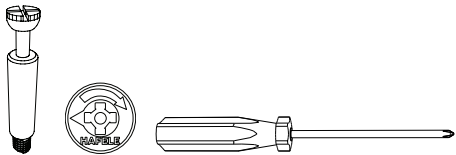


STEP 12

Greet Cap - Top Installation

Insert the MiniFix pins into the Top and place into the predrilled holes in the uprights.

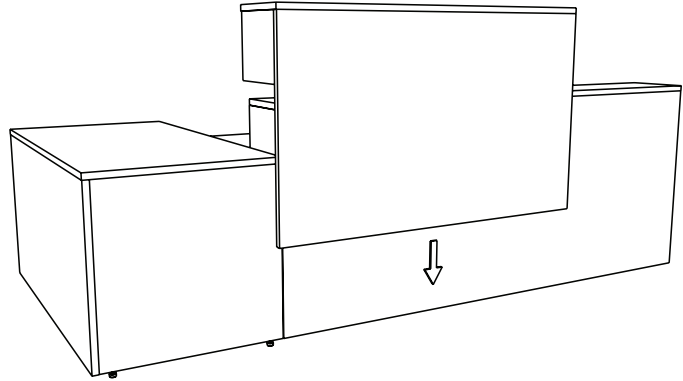
Fasten using the MiniFix Connectors and Phillips screwdriver.



STEP 13

Greet Cap - Position

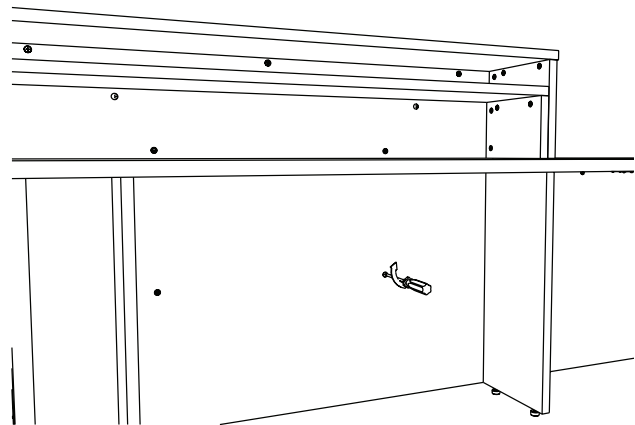
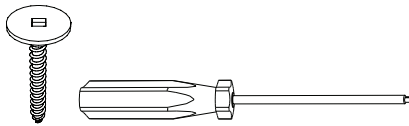
Place the Cap and align the pre-drilled holes from the Desk to the Cap.



STEP 14

Greet Cap - Fasten

Fasten using FastCap Screws and a Robertson screwdriver from under the desk.



Finishing Touches

Cover the visible connectors with the provided Fast Caps. Try to grain match for the best appearance. Adjust the levelers as needed.

Need Help?

customer.service@three-h.com | 1.800.767.5374

three h