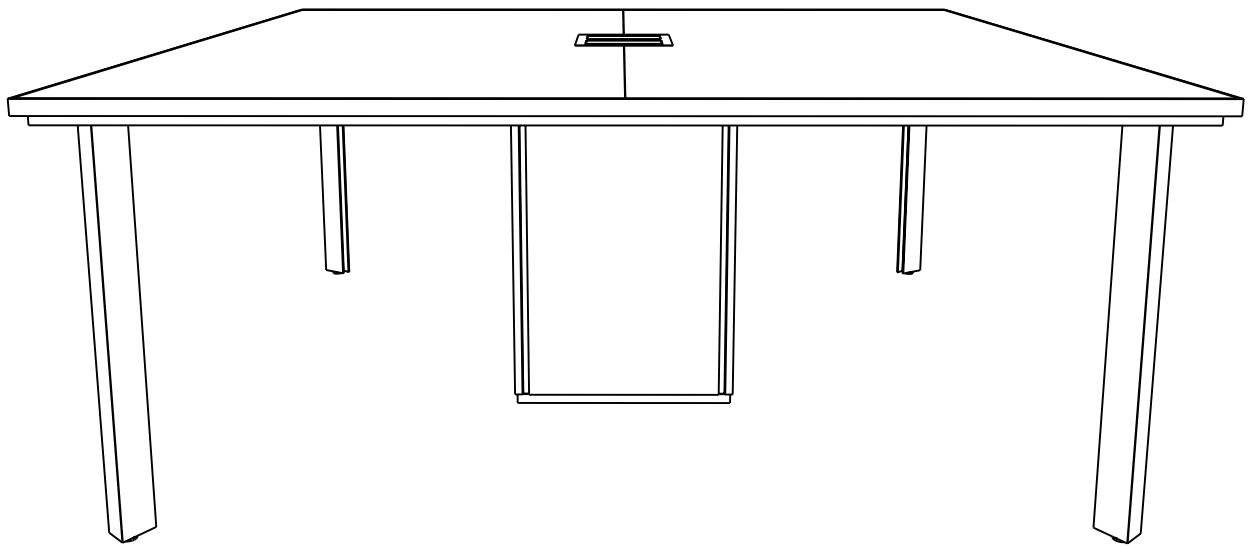


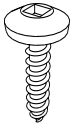
UNITE + CENTER PEDESTAL

INSTRUCTIONS

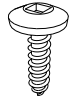


three h

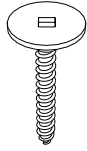
INCLUDED HARDWARE



8 x 7/8 Screw



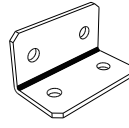
8 x 3/4 Screw



Fast Cap Screw



Uro Screw



L Bracket

REQUIRED TOOLS



Robertson Screwdriver



Phillips Screwdriver

GETTING STARTED

Assemble on a soft surface to avoid scratching the worksurface.

Hardware & tools required may vary depending on the Unite™ specifics.
The following instructions do not specify the amount of hardware included.
Due to variations in design, a separate hardware list will be provided.

DISCLAIMERS!

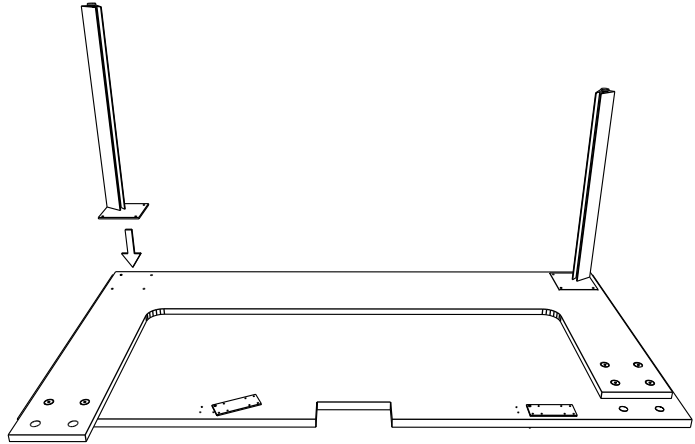
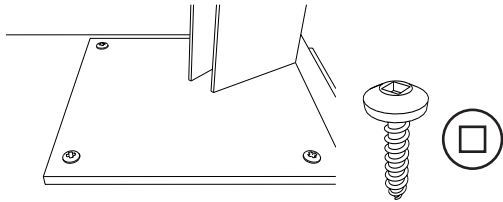
- Product that is damaged by the end user due to misuse, accident, abuse, negligence or shipping is not covered under Three H warranty.
- Use tools and hardware mentioned above to avoid any product faults.
- It is best to assemble our furniture with 2 or more persons.
- If you believe you are missing pieces, please contact replacements@three-h.com



STEP 1

Place the worksurface face down on a soft, clean surface.

Attach the Post Legs using 8 $\frac{7}{8}$ " Screws.

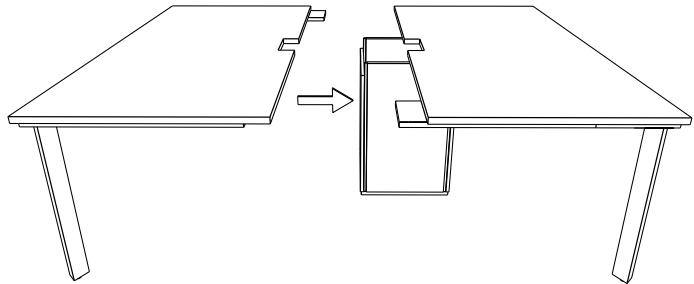


STEP 2

Connect Tops

Slide the 2 top pieces together on top of the pre-configured center pedestal.

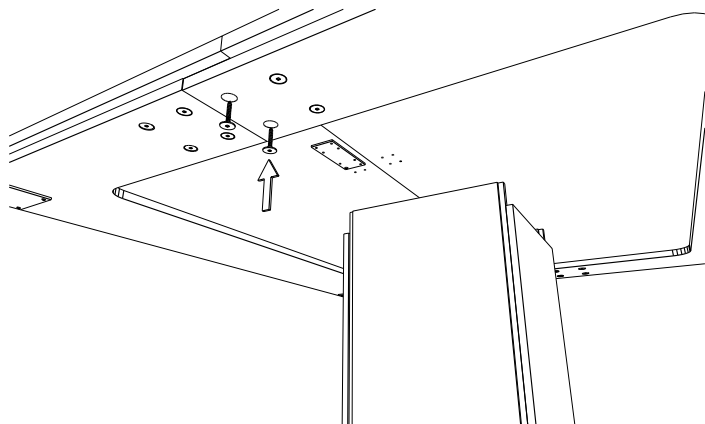
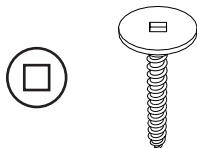
Attention: Be careful not to damage the tops.



STEP 3

Fasten the Tops

With the tops aligned, fasten them together using 2 Fast Cap Screws on the Reveal.

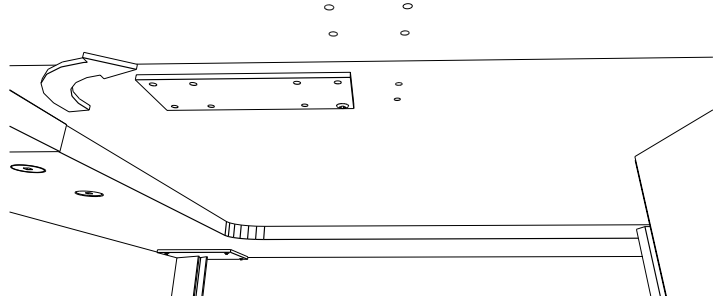
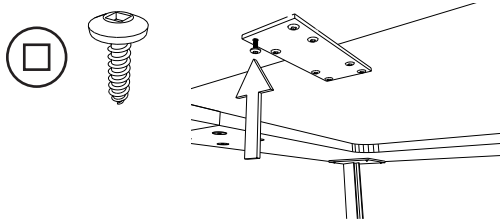


STEP 4

Mending Plates

Rotate the Mending Plates to their proper positions.

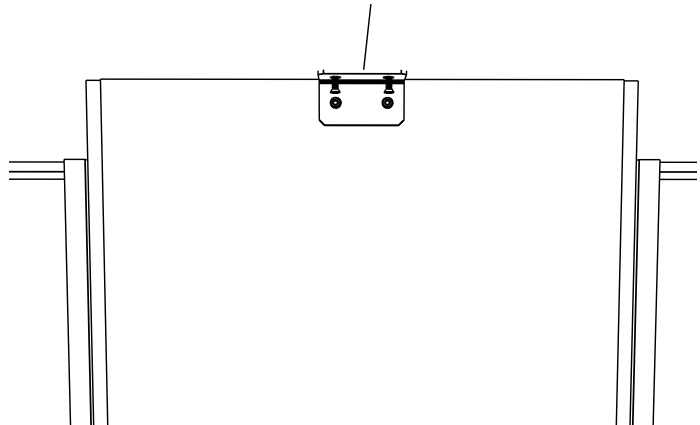
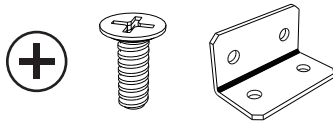
Fasten using 8^{3/4}" Screws.



STEP 5

L Brackets

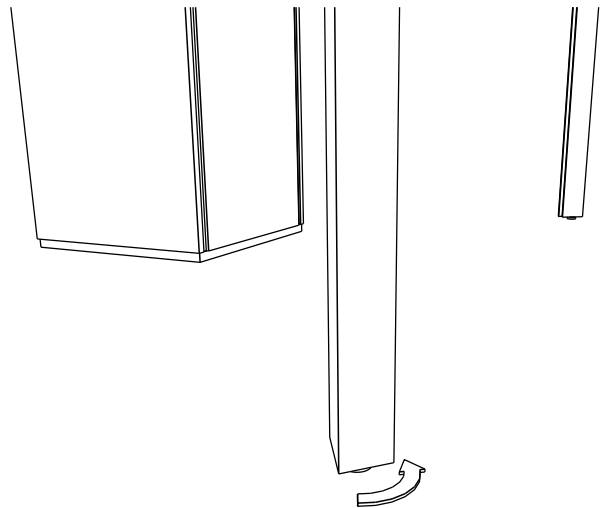
Attach the Tops to the Center Pedestal using the provided L Brackets and Uro Screws.



STEP 6

Level

Adjust the base levelers anywhere that it is required.



Need Help?

customer.service@three-h.com | 1.800.767.5374

three h