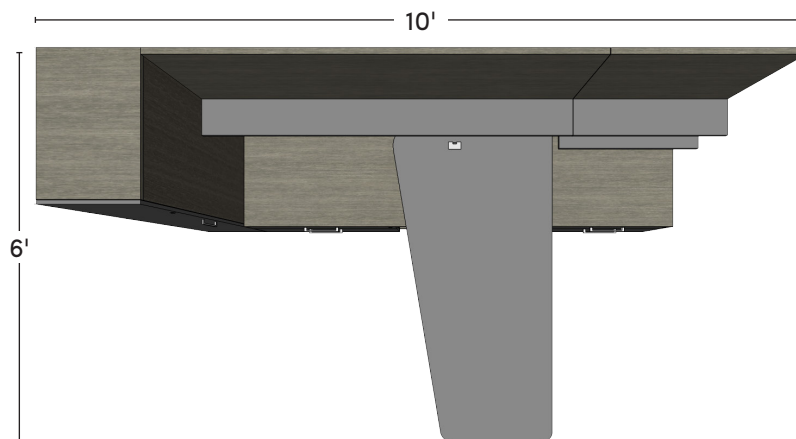




Client/ **ERO Resource Partners**

**QUOTE NO.** 385955  
**PROJECT NO.** 8839  
**PRODUCT LINE(S)** Rescape + Create  
**FOOTPRINT** 10' x 6'  
  
**LIST PRICE** \$9,375  
**PROJECT TOTAL** \$63,833

---



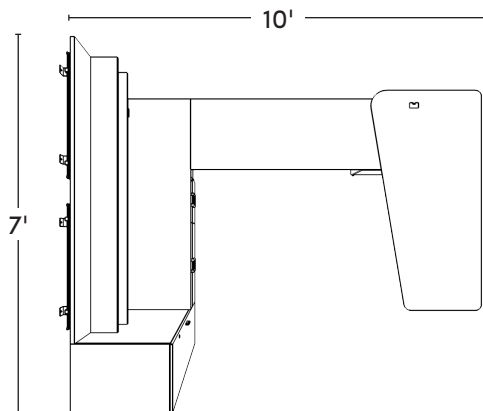
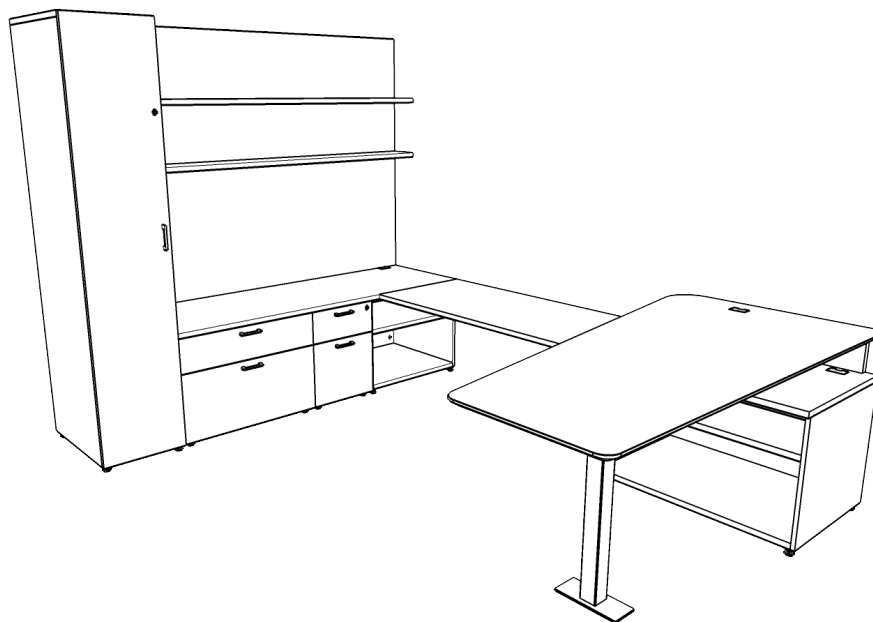
**Please Note:** List prices may have changed since original project date. For further pricing information or inquiries, please contact customer service or send your email to [quotes@three-h.com](mailto:quotes@three-h.com).



Client/ **ERO Resource Partners**

<b>QUOTE NO.</b>	385952
<b>PROJECT NO.</b>	8839
<b>PRODUCT LINE(S)</b>	Rescape + Create
<b>FOOTPRINT</b>	10' x 7'
<b>LIST PRICE</b>	\$9,768
<b>PROJECT TOTAL</b>	\$63,833

---



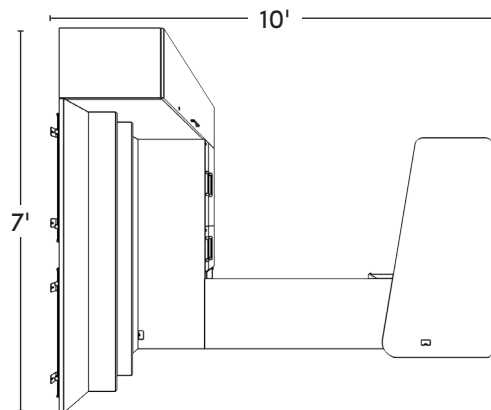
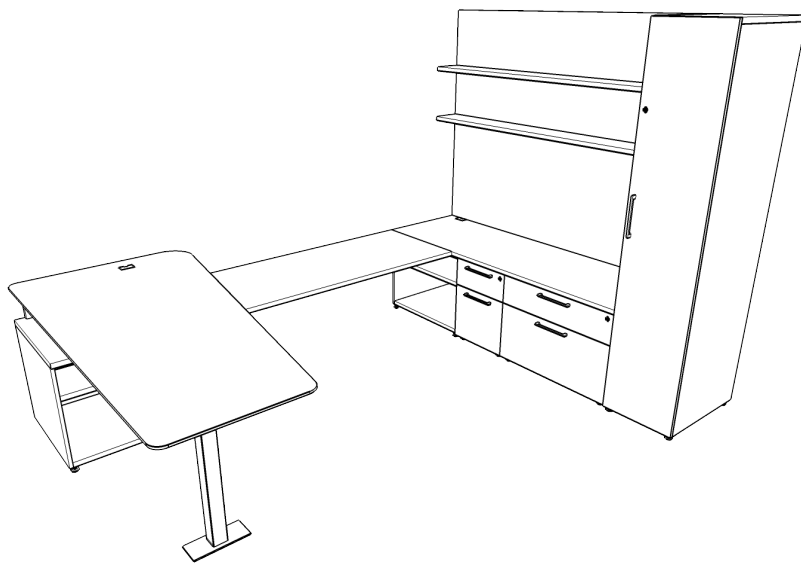
**Please Note:** List prices may have changed since original project date. For further pricing information or inquiries, please contact customer service or send your email to [quotes@three-h.com](mailto:quotes@three-h.com).



Client/ **ERO Resource Partners**

**QUOTE NO.** 385953  
**PROJECT NO.** 8839  
**PRODUCT LINE(S)** Rescape + Create  
**FOOTPRINT** 10' x 7'  
  
**LIST PRICE** \$9,820  
**PROJECT TOTAL** \$63,833

---



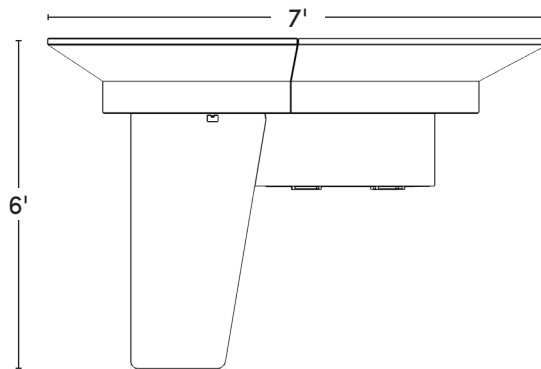
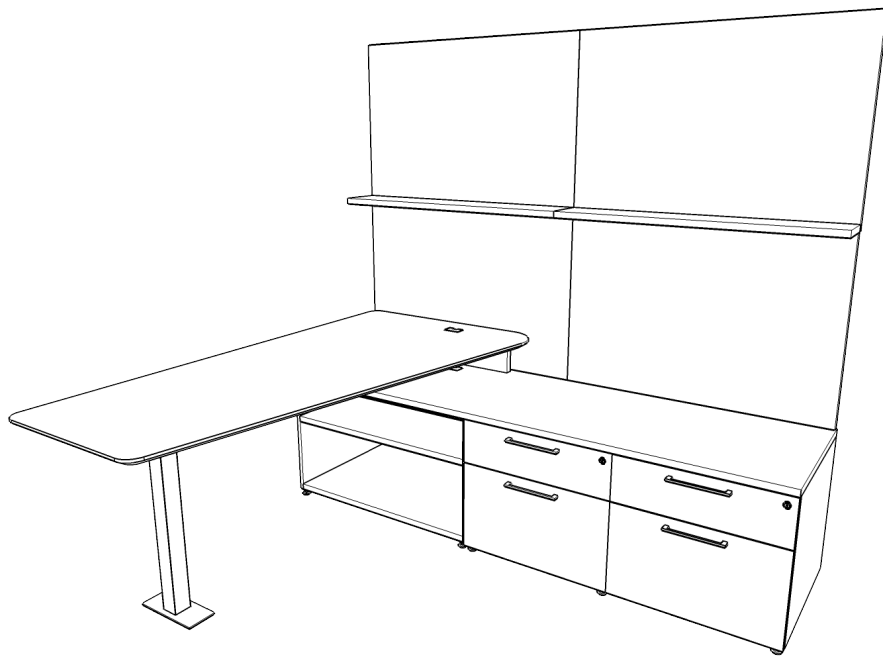
**Please Note:** List prices may have changed since original project date. For further pricing information or inquiries, please contact customer service or send your email to [quotes@three-h.com](mailto:quotes@three-h.com).



Client/ **ERO Resource Partners**

**QUOTE NO.** 385954  
**PROJECT NO.** 8839  
**PRODUCT LINE(S)** Rescape + Create  
**FOOTPRINT** 7' x 6'  
  
**LIST PRICE** \$7,095  
**PROJECT TOTAL** \$63,833

---



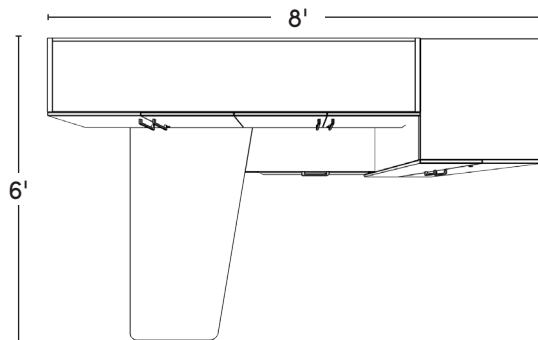
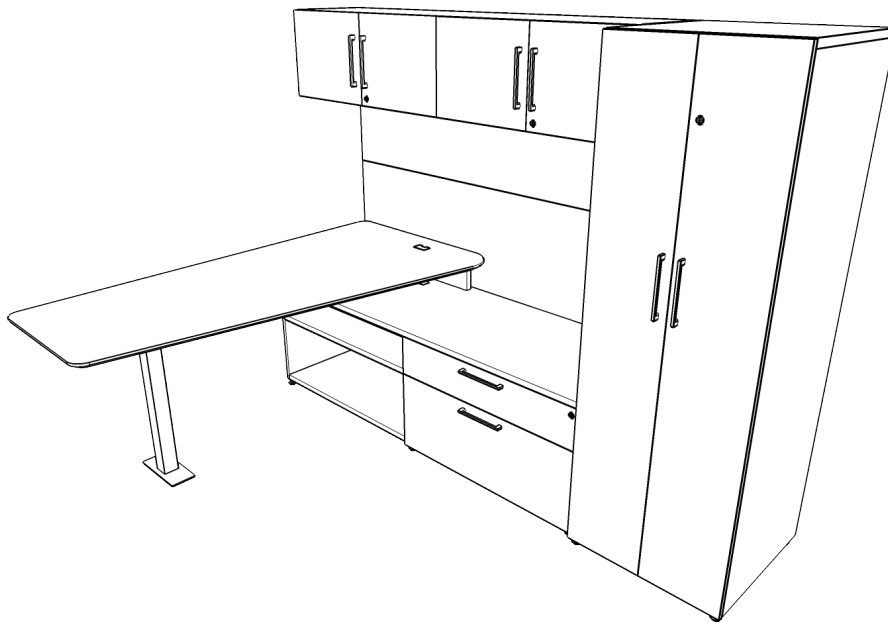
**Please Note:** List prices may have changed since original project date. For further pricing information or inquiries, please contact customer service or send your email to [quotes@three-h.com](mailto:quotes@three-h.com).



Client/ **ERO Resource Partners**

**QUOTE NO.** 385962  
**PROJECT NO.** 8839  
**PRODUCT LINE(S)** Create + Premiere  
**FOOTPRINT** 8' x 6'  
  
**LIST PRICE** \$7,641  
**PROJECT TOTAL** \$63,833

---



**Please Note:** List prices may have changed since original project date. For further pricing information or inquiries, please contact customer service or send your email to [quotes@three-h.com](mailto:quotes@three-h.com).

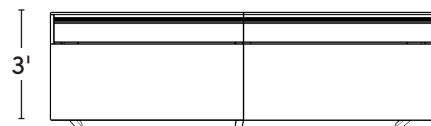
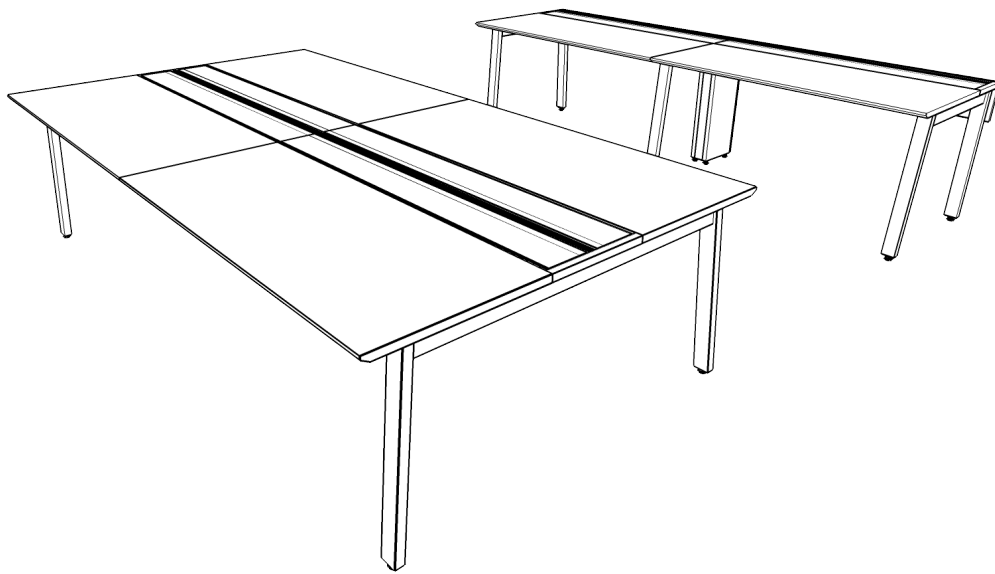


Client/ **ERO Resource Partners**

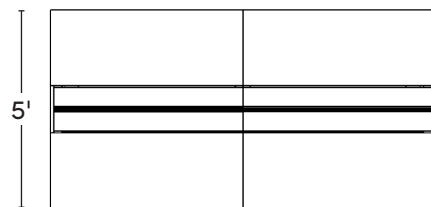
**QUOTE NO.** 386302  
**PROJECT NO.** 8839  
**PRODUCT LINE(S)** Parkway  
**FOOTPRINT** 10' x 5' | 10' x 3'

**LIST PRICE** \$12,014  
**PROJECT TOTAL** \$63,833

---



10'



5'

**Please Note:** List prices may have changed since original project date. For further pricing information or inquiries, please contact customer service or send your email to [quotes@three-h.com](mailto:quotes@three-h.com).

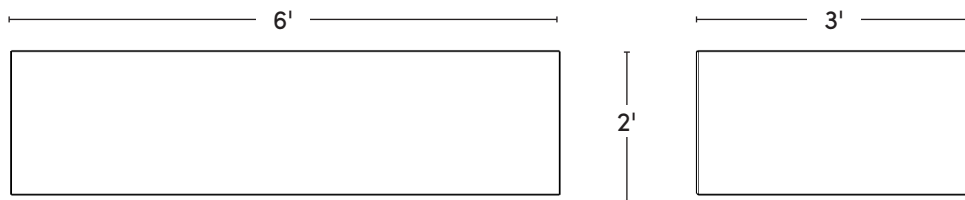
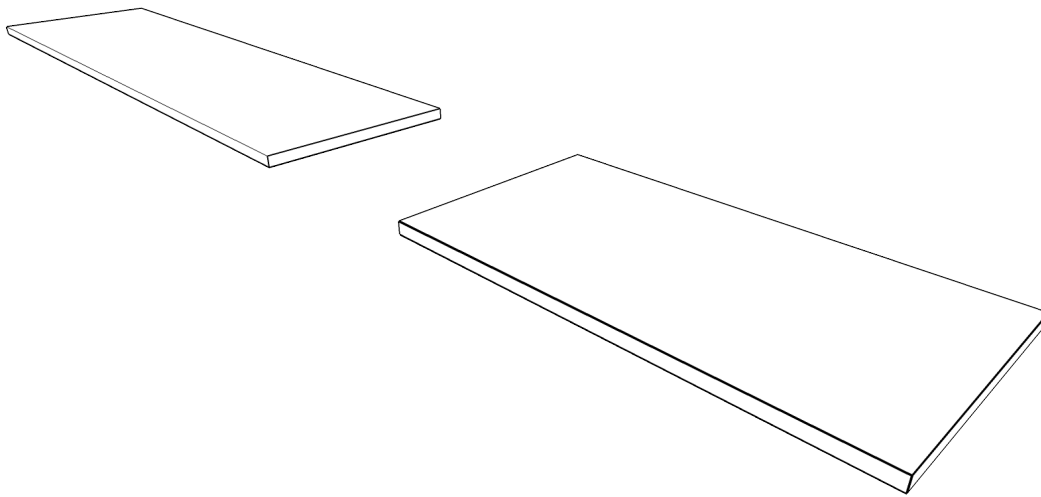


Client/ **ERO Resource Partners**

**QUOTE NO.** 386394  
**PROJECT NO.** 8839  
**PRODUCT LINE(S)** Table  
**FOOTPRINT** 6' x 2' | 3' x 2'

**LIST PRICE** \$479  
**PROJECT TOTAL** \$63,833

---



**Please Note:** List prices may have changed since original project date. For further pricing information or inquiries, please contact customer service or send your email to [quotes@three-h.com](mailto:quotes@three-h.com).