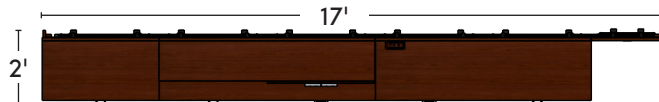




Client/ **Kingsway Toyota**

**QUOTE NO.** 384260  
**PROJECT NO.** 8736  
**PRODUCT LINE(S)** Rescape + Create  
**FOOTPRINT** 12' x 2'  
  
**LIST PRICE** \$13,307  
**PROJECT TOTAL** \$45,075

---



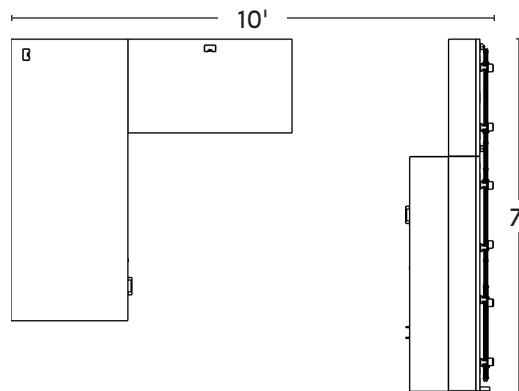
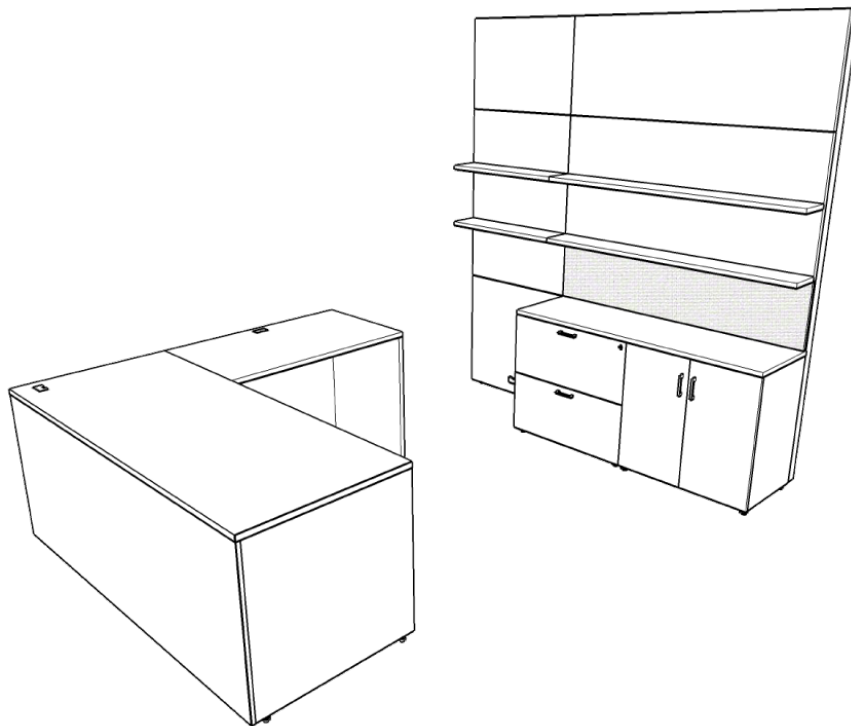
**Please Note:** List prices may have changed since original project date. For further pricing information or inquiries, please contact customer service or send your email to [quotes@three-h.com](mailto:quotes@three-h.com).



Client/ **Kingsway Toyota**

**QUOTE NO.** 384389  
**PROJECT NO.** 8736  
**PRODUCT LINE(S)** Rescape + Create + Premiere  
**FOOTPRINT** 10' x 7'  
  
**LIST PRICE** \$6,868  
**PROJECT TOTAL** \$45,075

---



**Please Note:** List prices may have changed since original project date. For further pricing information or inquiries, please contact customer service or send your email to [quotes@three-h.com](mailto:quotes@three-h.com).



Client/ **Kingsway Toyota**

**QUOTE NO.** 384456 (x 5 Offices)

**PROJECT NO.** 8736

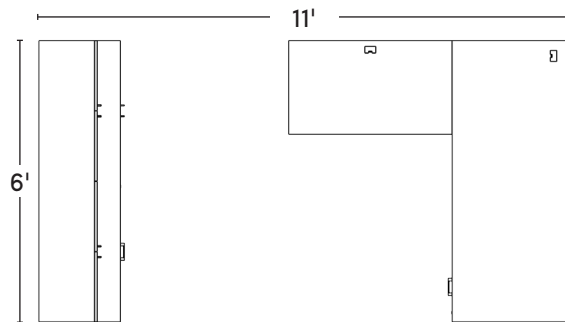
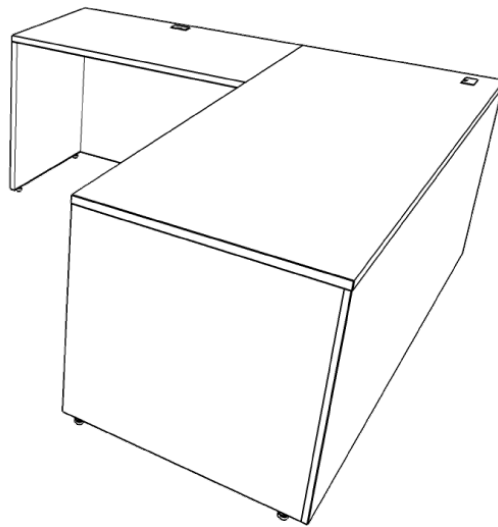
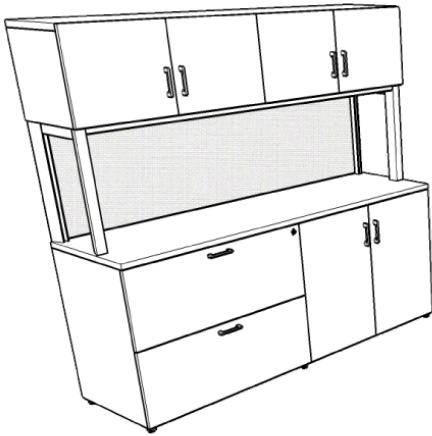
**PRODUCT LINE(S)** Create + Premiere

**FOOTPRINT** 11' x 6'

**LIST PRICE** \$4,980 (x 5)

**PROJECT TOTAL** \$45,075

---



**Please Note:** List prices may have changed since original project date. For further pricing information or inquiries, please contact customer service or send your email to [quotes@three-h.com](mailto:quotes@three-h.com).

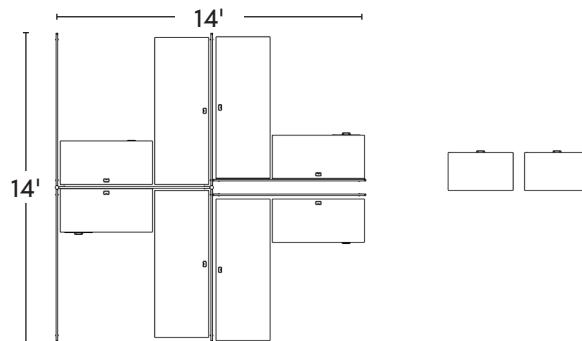
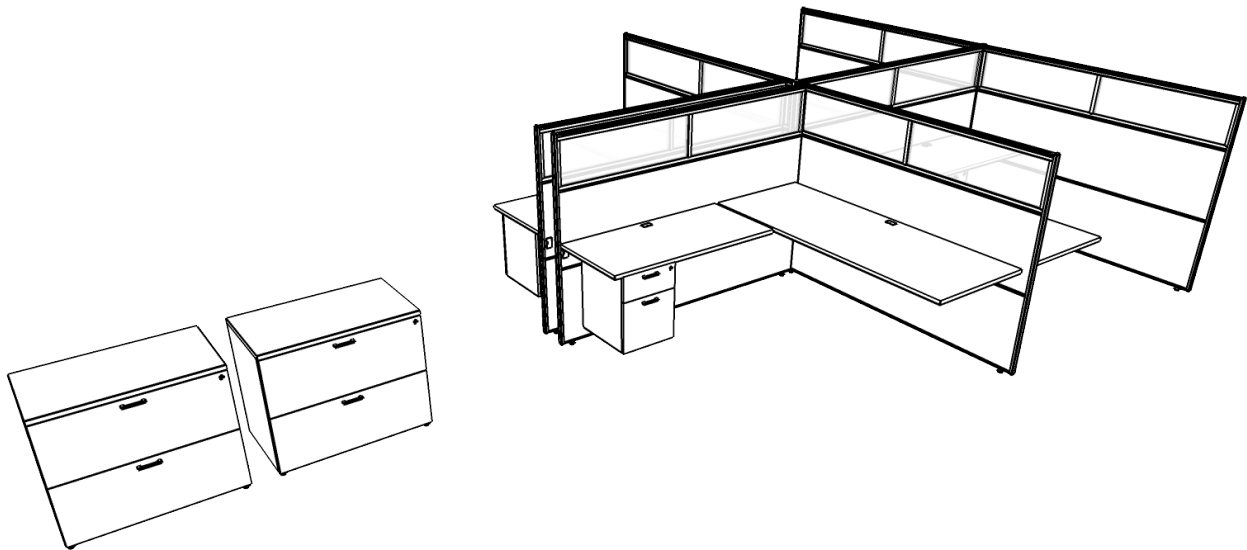


Client/ **Kingsway Toyota**

**QUOTE NO.** 386238  
**PROJECT NO.** 8736  
**PRODUCT LINE(S)** MultiStation OS + Premiere  
**FOOTPRINT** 14' x 14'

**LIST PRICE** \$18,524  
**PROJECT TOTAL** \$45,075

---



**Please Note:** List prices may have changed since original project date. For further pricing information or inquiries, please contact customer service or send your email to [quotes@three-h.com](mailto:quotes@three-h.com).