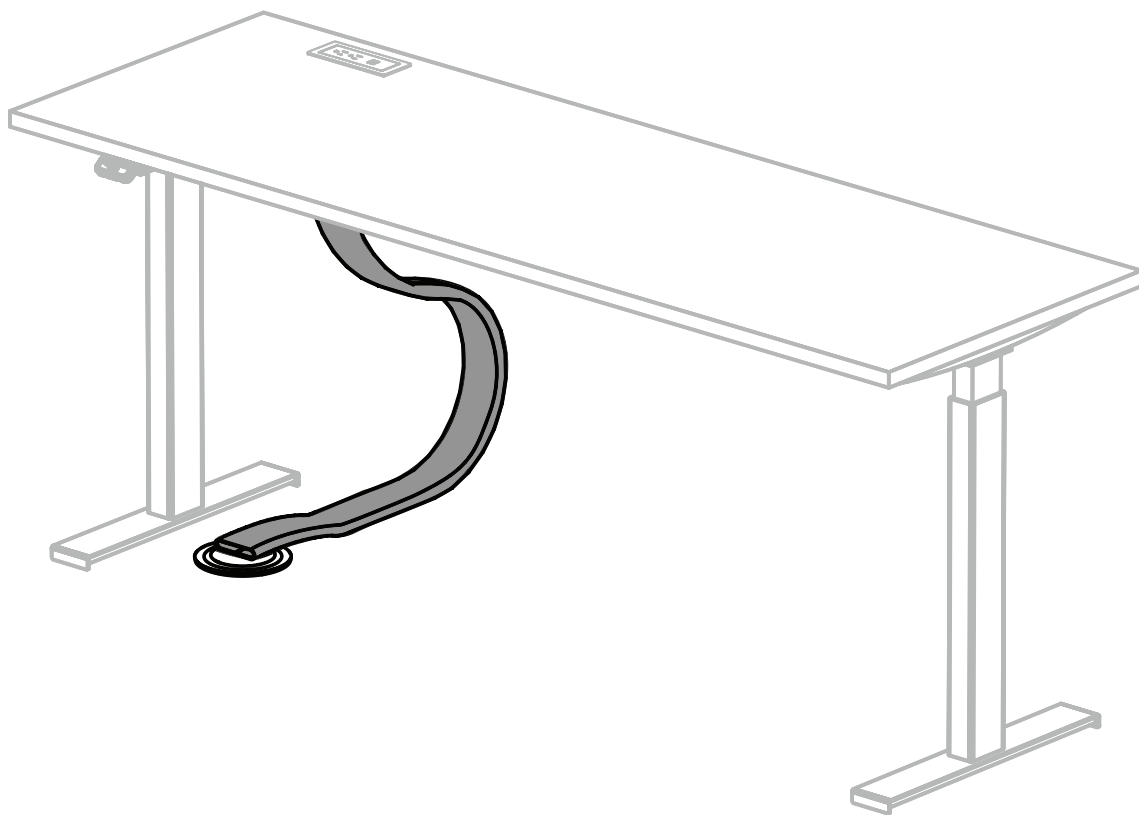


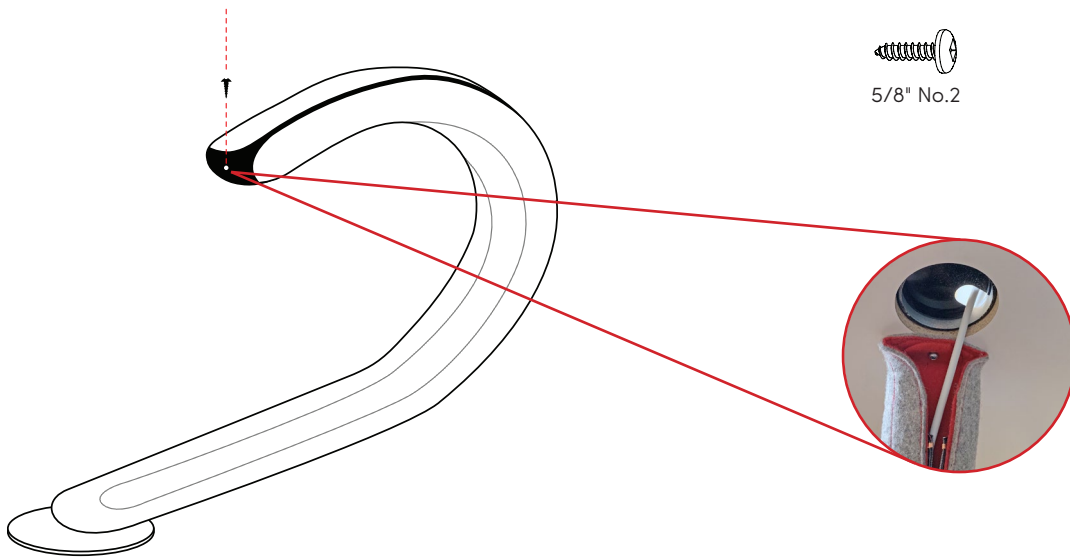
CordJacket™

INSTRUCTIONS

General Installation



1

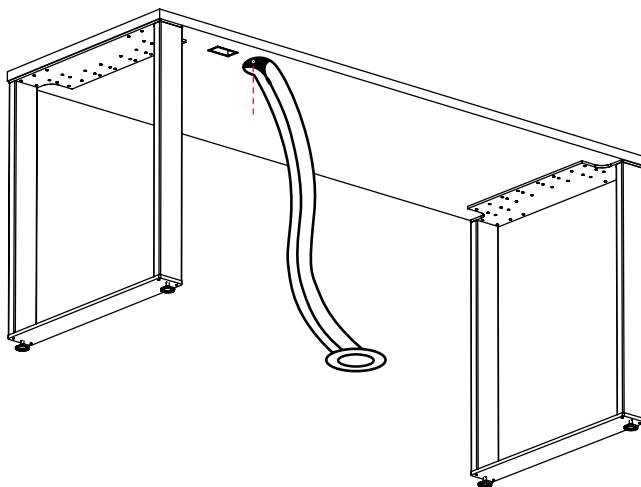


Using a 5/8" No.2 Panhead Screw, insert through the round grommet. The top of the screw should be on the interior red felt.



5/8" No.2

2



Bottom View

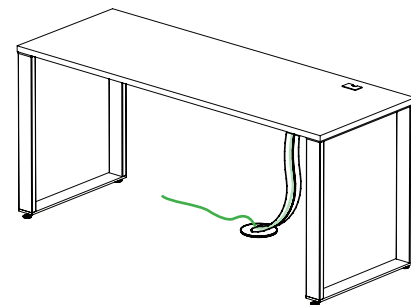
Locate the grommet on the underside of the surface. The final location of the top of the Cordjacket should be 1-2" away from the grommet with the curved end closest to the grommet. Fasten screw with a Robertson Screwdriver.



5/8" No.2

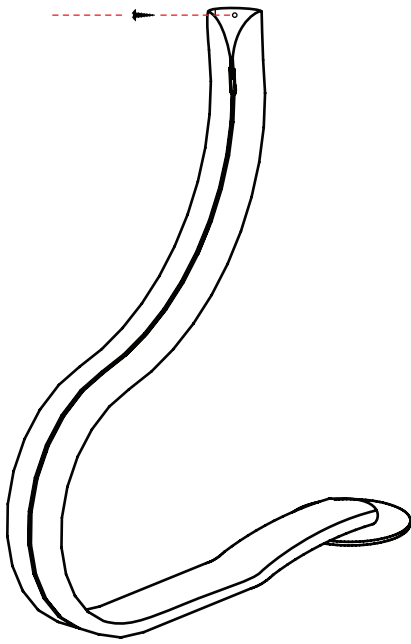


Robertson Screwdriver



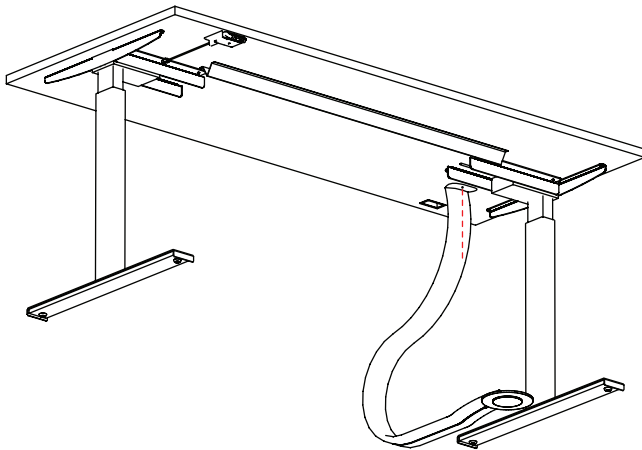
Top View

1



Using a 5/8" No.2 Pan Head Screw, insert through the round grommet. The top of the screw should be on the interior red felt.

2



Bottom View

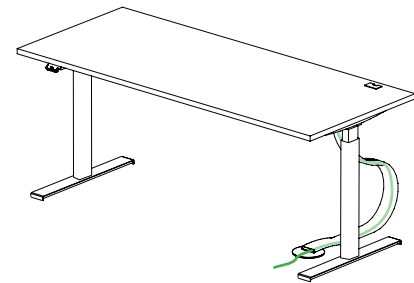
Attach the Cordjacket to the underside of the surface 4" away from the leg bracket plus 1-2" away from the cross beam support. The curved end should be closest to the cross beam. Fasten screw with a Robertson Screwdriver.



5/8" No.2



Robertson Screwdriver



Top View

Three H Furniture Systems Limited

156462 Clover Valley Rd.
New Liskeard, ON
Canada POJ 1P0

T. 1.800.767.5374
F. 1.888.484.5786

customer.service@three-h.com
www.three-h.com



Revision 1 · December 22 2020