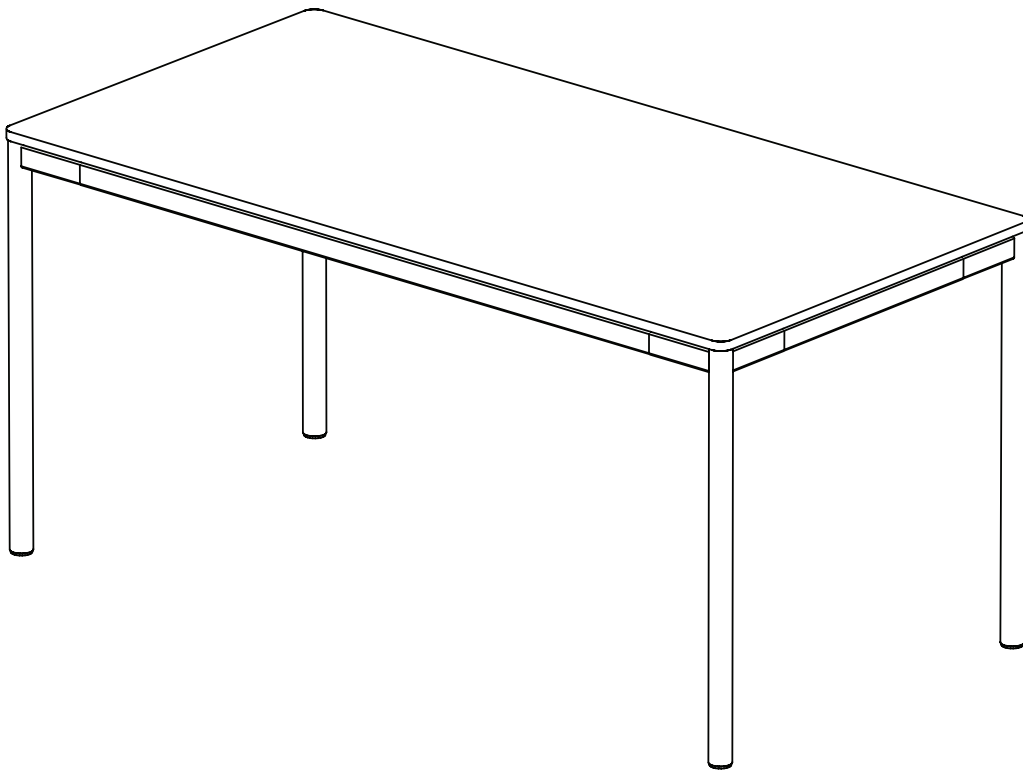


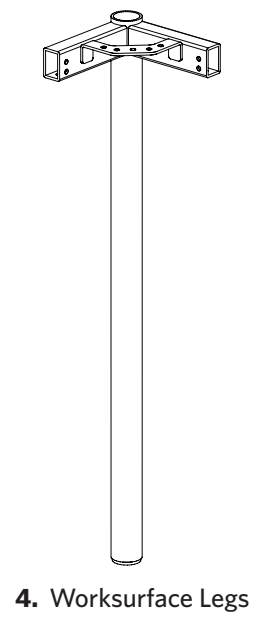
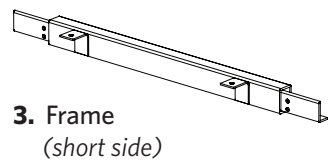
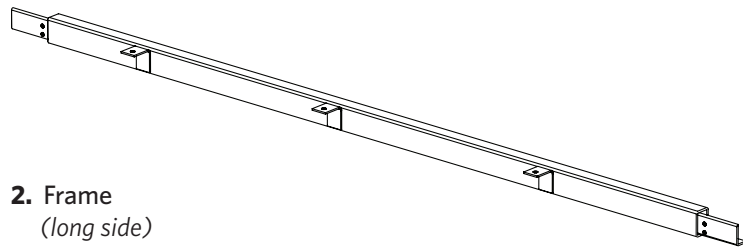
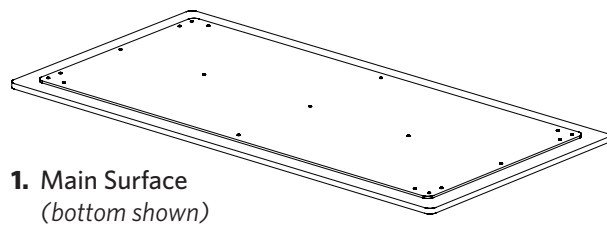
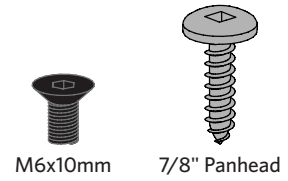
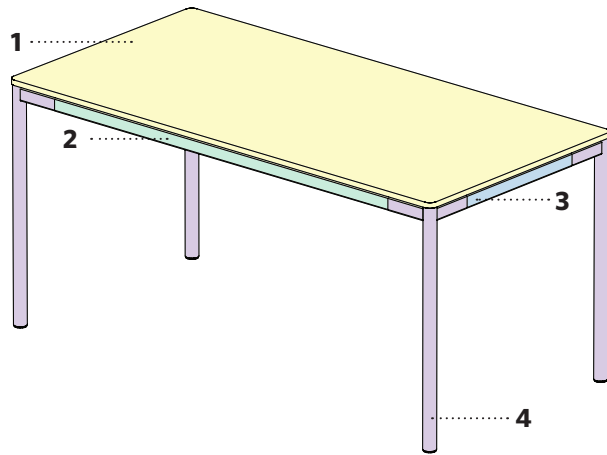
Hook Up

INSTRUCTIONS

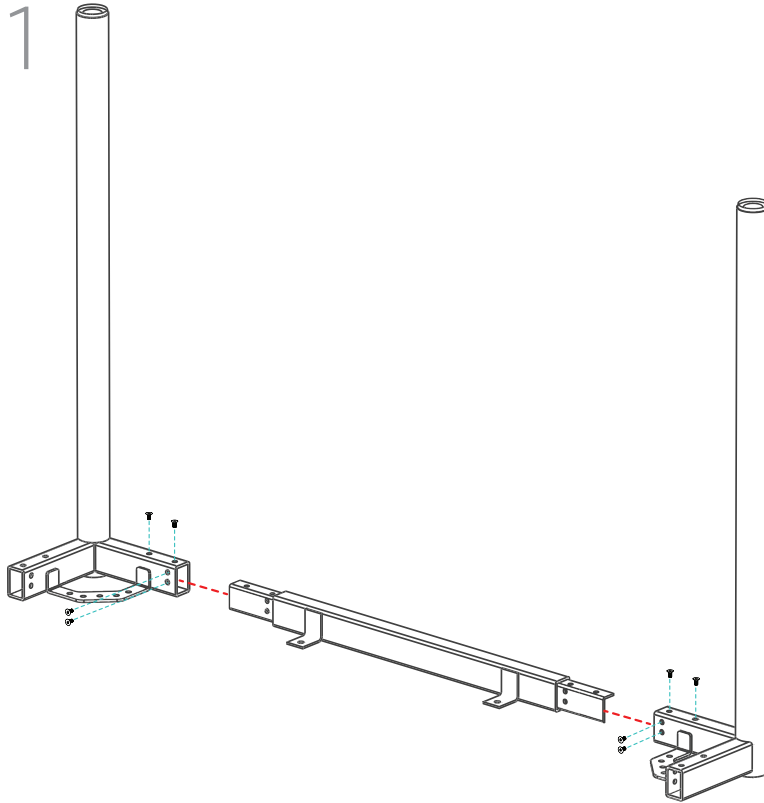
Rectangular Desk



three h



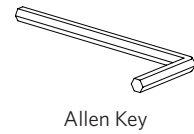
1



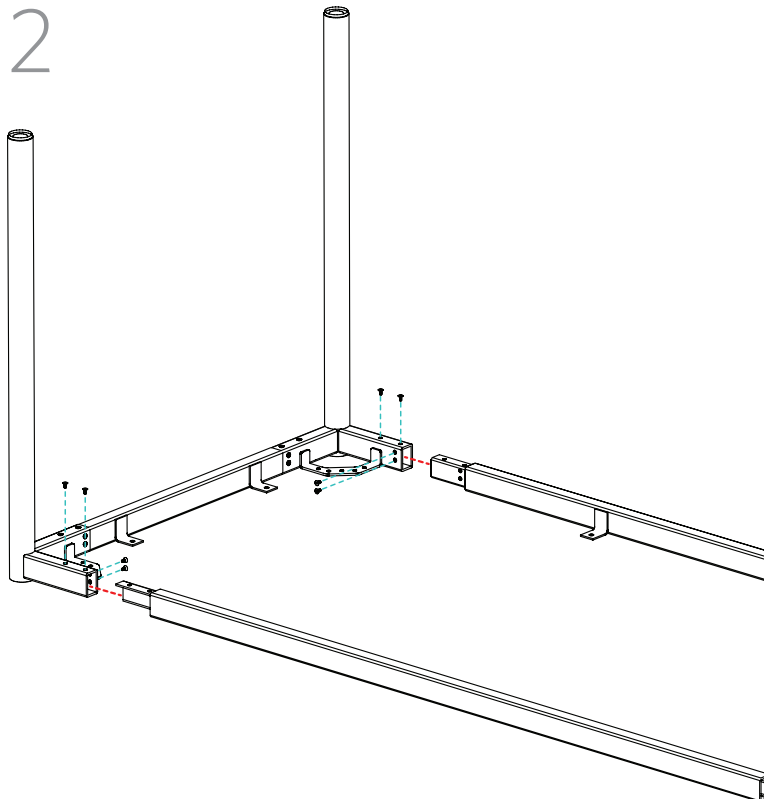
Slide both Worksurface Legs onto the Short Frame.

Fasten the legs to the frame using the provided M6x10mm flathead screws. Do not fully tighten, only enough to keep together.

Repeat for opposite side.



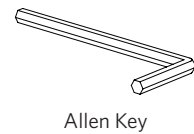
2

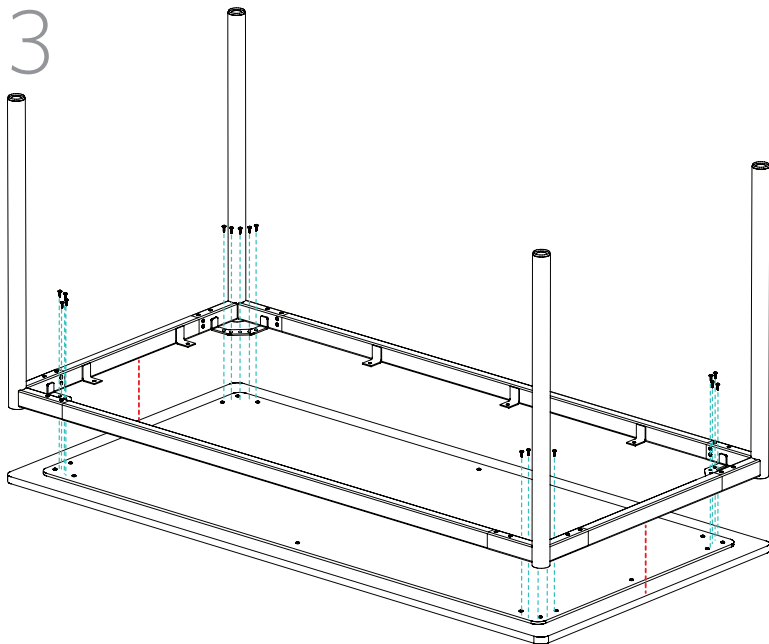


Slide the Long Frames into the Leg brackets on one side.

Fasten the frame to the legs using the provided M6x10mm flathead screws. Do not fully tighten, only enough to keep together.

Repeat for opposite side.

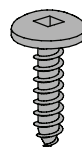




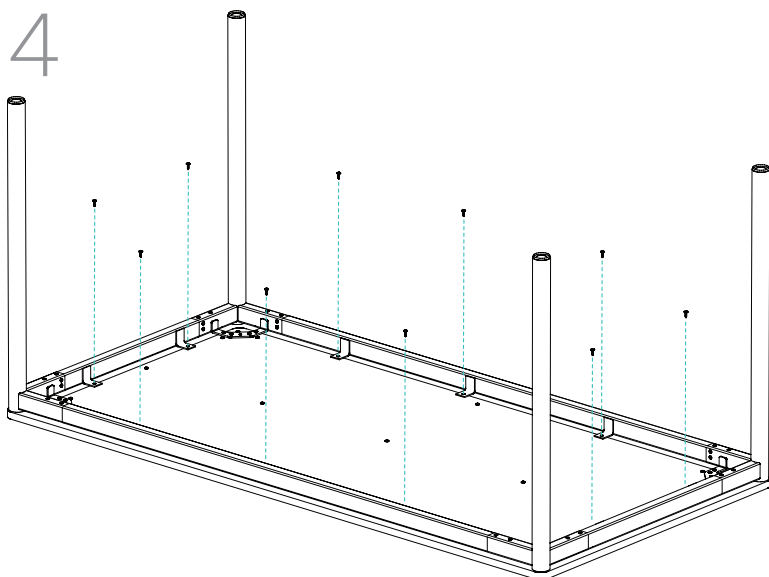
Place the Leg & Frame structure on the worksurface. Use caution to not scratch the surface.

Center the frame on the worksurface and fasten the surface to the Leg Brackets using the provided #8 x 7/8" Panhead screws.

It is recommended to insert one screw on each corner leg to start. Verify all leg tubes are equal distance from surface edges - then apply and tighten all remaining screws.

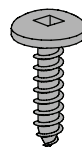


#8 x 7/8" Panhead
Qty: 20



Continue to fasten the worksurface to the frame using the small L brackets and provided #8 x 7/8" Panhead screws. The quantity of screws will depend on the length and depth.

Finally, flip the table and adjust the levelers / tighten any remaining screws.



#8 x 7/8" Panhead

Three H Furniture Systems Limited

156462 Clover Valley Rd.

New Liskeard, ON

Canada POJ 1P0

T. 1.800.767.5374

F. 1.888.484.5786

customer.service@three-h.com

www.three-h.com

Revision 2 · 04/26/2022

© 2022 Three H Furniture Systems Limited. All rights reserved.